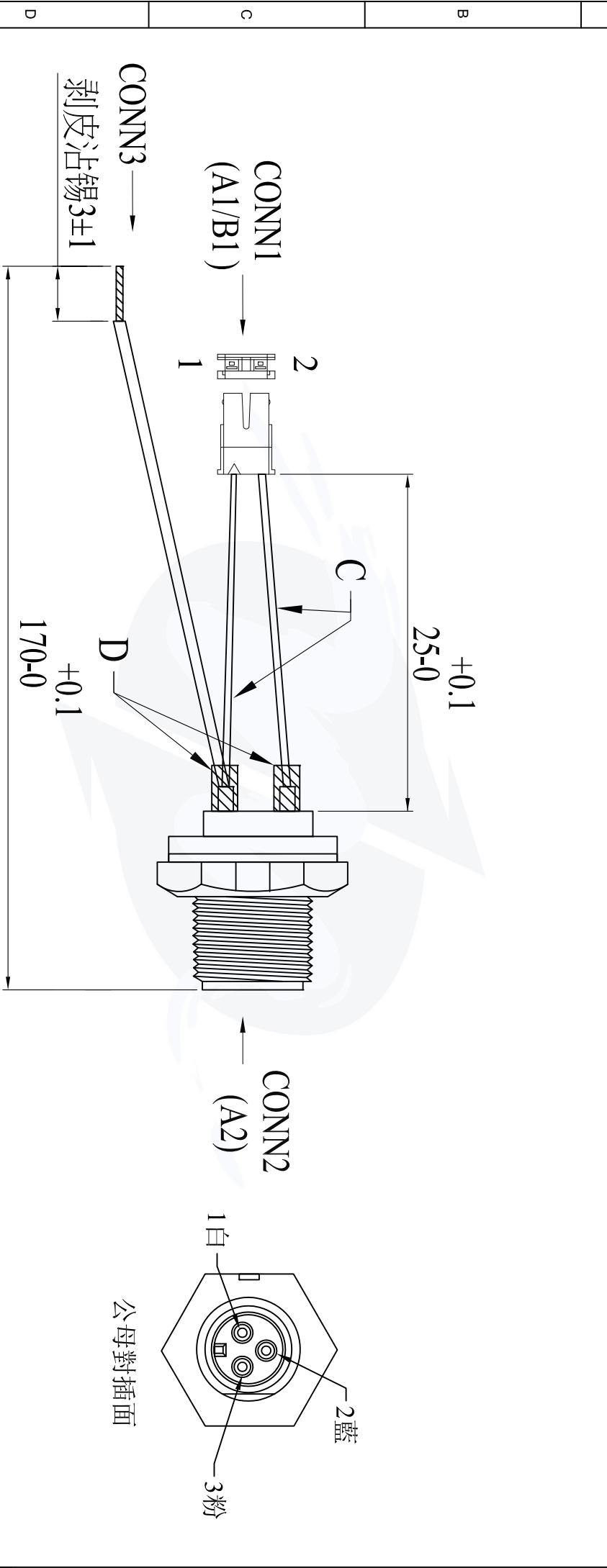


| | | | | | |
|----|----------|---------------------------------|------|---|------|
| D | 套管 | 2 | φ1.5 | 3 | 2PCS |
| C | WIRE | UL3239 22# 3KV | | | 3PCS |
| A2 | HOUSING | L7WAD-03PMMMS-SCT001 | | | 2PCS |
| B1 | TERMINAL | A3500-T(母) | | | 1PCS |
| A1 | HOUSING | A3500H-2P(公) OR BHSR-02VVS01(公) | | | 1PCS |
| NO | SORT | DESC | | | Qty |

| | | | | | |
|------|----|----------|---------------------------|---------|--------------|
| SIZE | A4 | DRN NAME | DC_3P Connector-ICE_PC-00 | DRN NO. | ICE_PC-CL006 |
|------|----|----------|---------------------------|---------|--------------|



批准
2014.08.13
研發部

| | | | | | | | | | | | | |
|------|--|---------|--------|--------------------------------|-------|----|---------|-----|--------|------|-------|----|
| DATE | | APPD BY | DSN BY | ENGINEERING CHANGE DESCRIPTION | UNTT: | MM | USED ON | ICE | SCALE: | FREE | PAGE: | OF |
| △ | | | | | ⊕ | | | | | | | |
| △ | | | | | | | | | | | | |
| △ | | | | | | | | | | | | |

| | | | |
|---------------|---------|----------------------|------------|
| BASIC RANGE | DRN BY | DMP ELECTRONICS INC. | |
| X | DSN BY | Derek | 08-13-2014 |
| ***** | CKD BY | | |
| ANGULAR ± DEG | APPD BY | | |

| | | | | | |
|-----------|-----------------|----------|---------------------|-----|-----|
| PART NAME | DC 3P Connector | PART NO. | CABLE--WP-DC3P-M-17 | REV | 1.0 |
|-----------|-----------------|----------|---------------------|-----|-----|