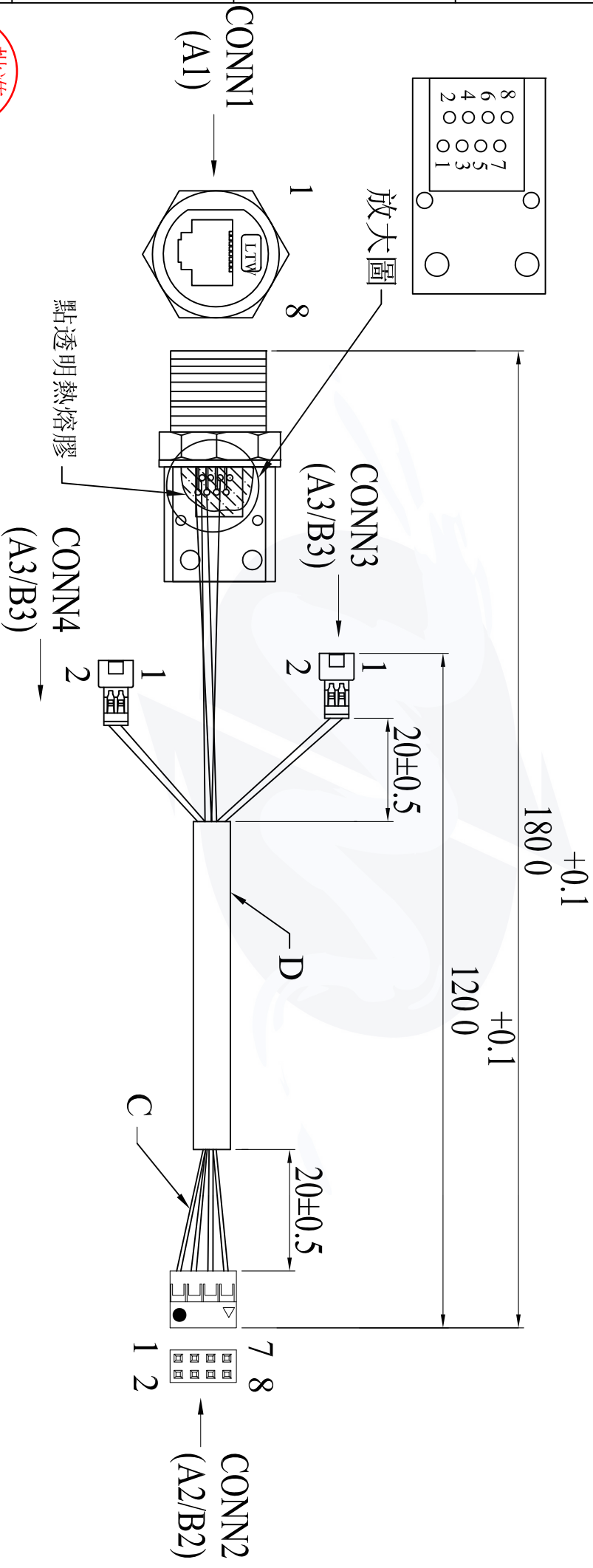
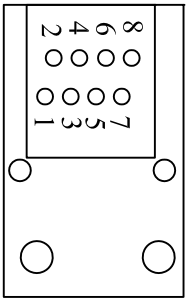


D	套管	1	PCS
C	WIRE	φ3.5	PCS
B3	TERMINAL	UL10064 28#	8PCS
A3	TERMINAL	MX51047-T	4PCS
B2	TERMINAL	MX51047-29	2PCS
A2	HOUSING	WL2004-G	9PCS
A1	HOUSING	WL2004H-2*4P OR DP2.0-2*4P	1PCS
NO	SORT	GTRRJ45-001(客供)	1PCS
		DESC	Q'ty

SIZE	A4	DRN NAME	LAN-ICE_PC-00	DRN NO.	ICE_PC-CL007
------	----	----------	---------------	---------	--------------



批准
 2014.06.12
 研發部

DATE	APPD BY	DSN BY	ENGINEERING CHANGE DESCRIPTION

BASIC RANGE		DRN BY	DMP ELECTRONICS INC.	
X	.XX	DSN BY	Derek	06-12-2014
*****	*****	CKD BY		
ANGULAR ± DEG		APPD BY		
UNIT:		PART NAME	LAN	
MM		PART NO.	CABLE-WP-LAN-F-18	REV. 1.0
SCALE: FREE		PAGE:	1	OF 1

THESE DRAWINGS AND SPECIFICATIONS ARE THE PROPERTY OF DMP ELECTRONICS INC. AND SHALL NOT BE REPRODUCED OR USED AS THE BASIS FOR THE MANUFACTURE OR SELL OF APPARATUS OR DEVICES WITHOUT PERMISSION.