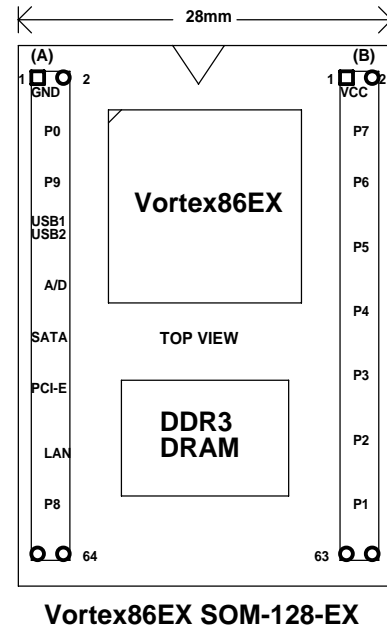


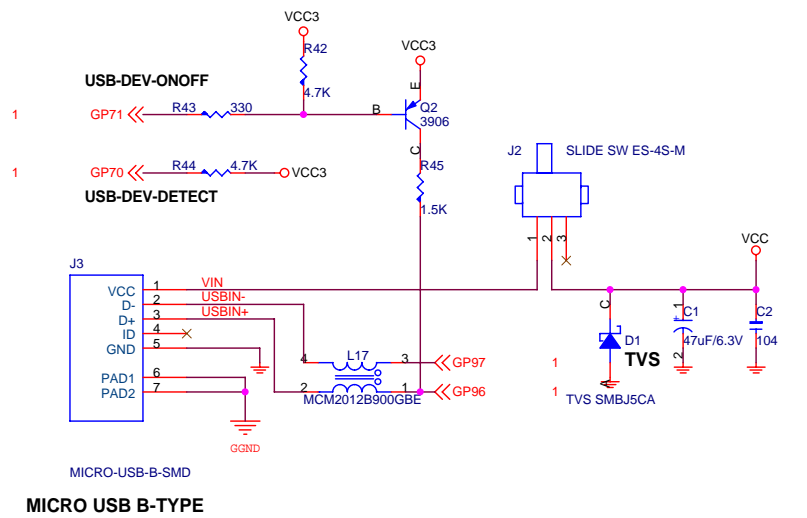
GPIO Function Pin

GPIO_PIN	Function	GPIO_PIN	Function
GP00		GP50	COM6 DCD1)
GP01		GP51	COM6 RTS1)
GP02		GP52	COM6 RTS1)
GP03		GP53	COM6 RI1)
GP04		GP54	COM6_RXD1)
GP05		GP55	COM6_DTR1)
GP06		GP56	COM6_DSR1)
GP07		GP57	COM6_CTS1)
GP10		GP60	SDA D2
GP11		GP61	SDA D3
GP12		GP62	SDA_CMD
GP13		GP63	SDA_CLK
GP14		GP64	SDA D0
GP15		GP65	SDA D1
GP16		GP66	SDA CD
GP17		GP67	SDA WP
GP20		GP70	
GP21		GP71	
GP22		GP72	232_EN1
GP23		GP73	
GP24		GP74	485_EN1
GP25		GP75	
GP26		GP76	
GP27		GP77	
GP30		GP80	SPIC_S1
GP31		GP81	SPIC_CLK
GP32		GP82	SPID1
GP33		GP83	SPIDO
GP34		GP84	LAN_LINK/ACT
GP35		GP85	LAN_DUPLEX
GP36		GP86	SPEAKER
GP37		GP87	
GP40		GP90	HD_BCLK
GP41		GP91	HD_SYNC
GP42		GP92	HD_SDO
GP43		GP93	HD_SDI
GP44		GP94	HD_RST#
GP45		GP95	TXDEN6
GP46		GP96	USB D+
GP47		GP97	USB D-

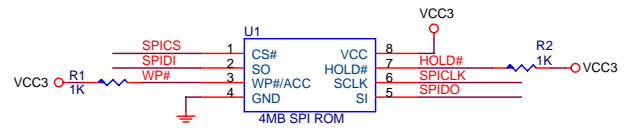


PCB NO. DM219
 VESA-PC-60 SOM-128-EX DB2
 V0.2

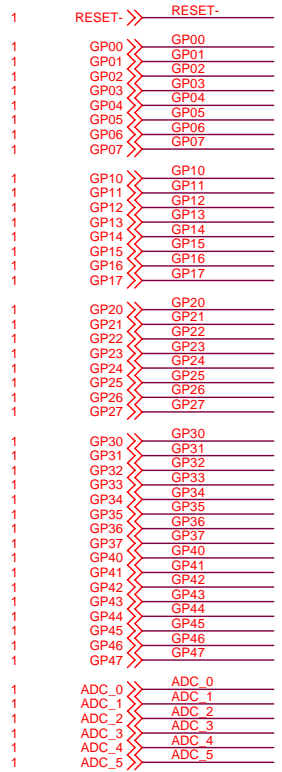
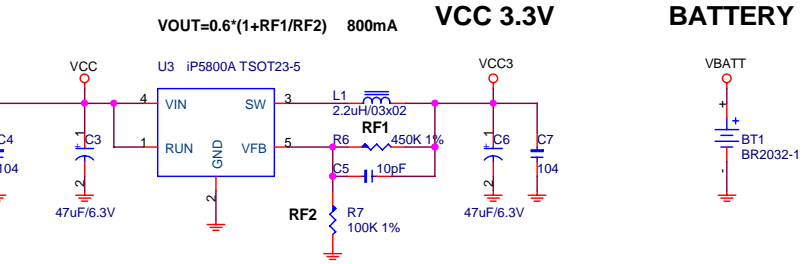
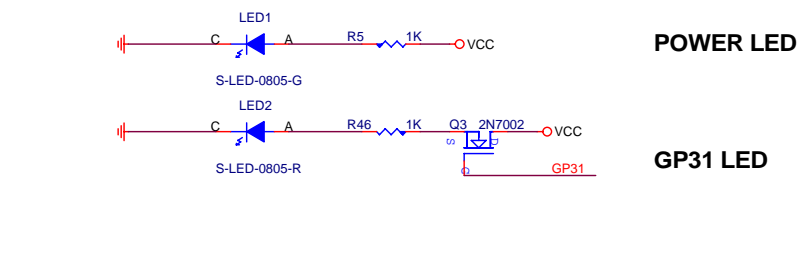
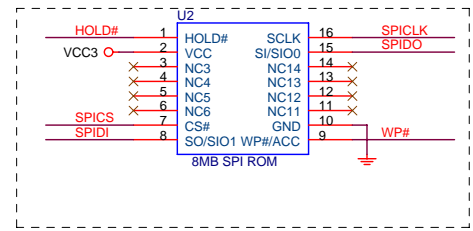
DMP ELECTRONICS INC.		
Title: SODIM200		
Size: DM219	Document Number: DM219	Rev: 0.2
Date: Friday, April 19, 2013	Sheet 1 of 6	



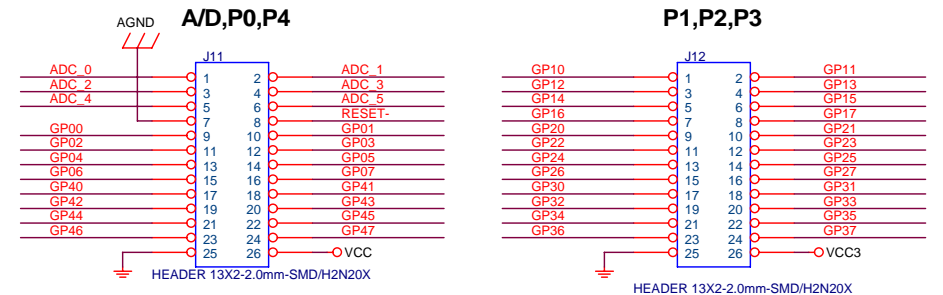
External SPI FLASH



OPTION



BREAD-BOARD CONNECTOR



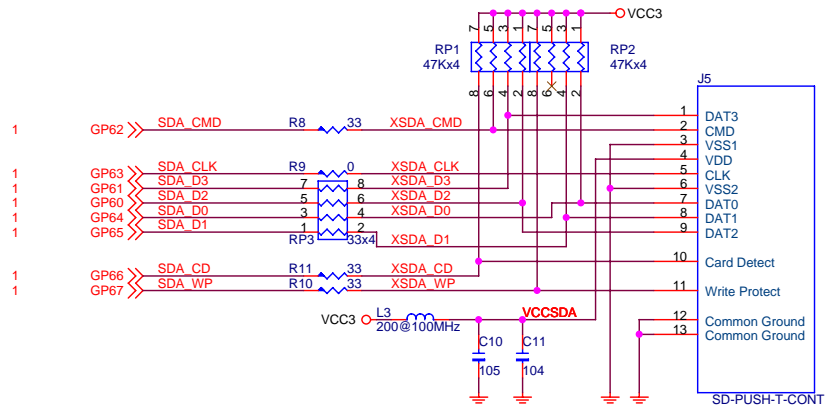
DMP ELECTRONICS INC.

Title: Power SWITCH/Ext SPI/GPIO/BAT

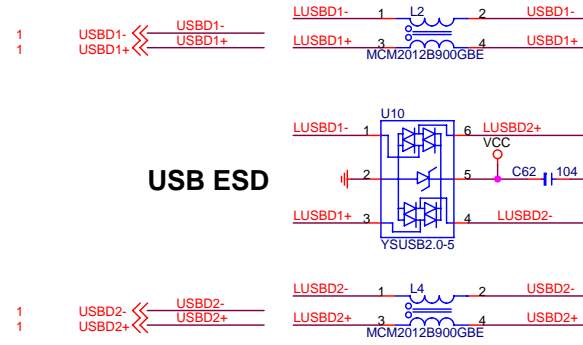
Size: Document Number DM219 Rev 0.2

Date: Friday, April 19, 2013 Sheet 2 of 6

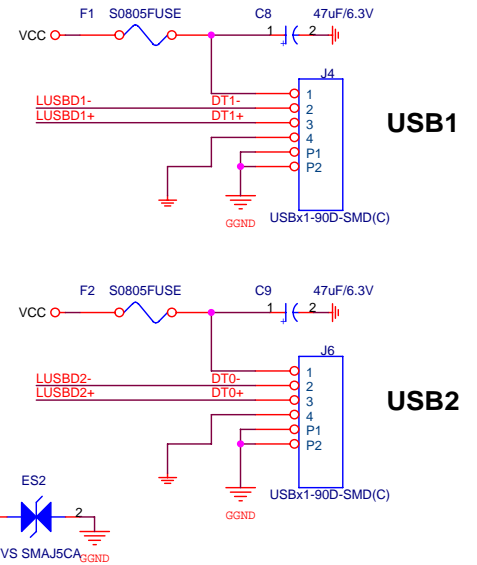
SD CARD



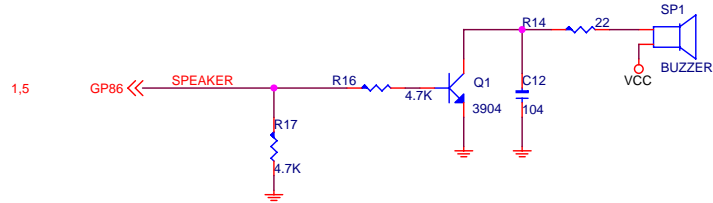
DIFF-90



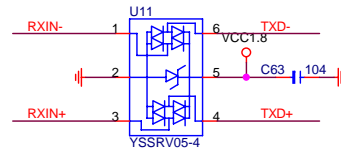
USB ESD



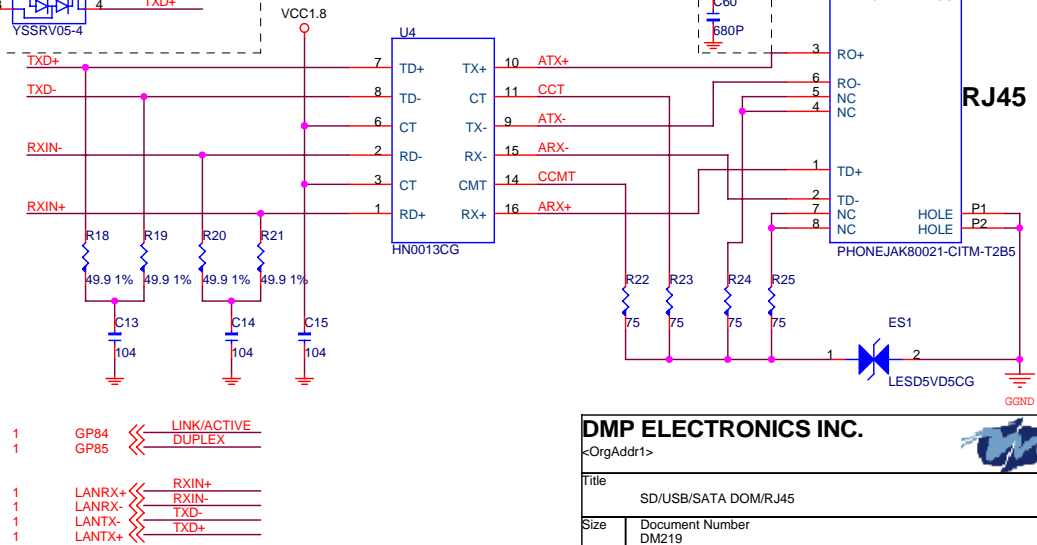
SPEAKER



LAN ESD



DIFF-90

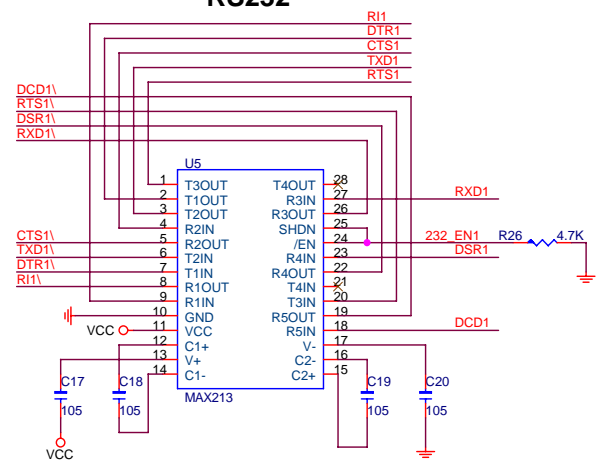


DMP ELECTRONICS INC.

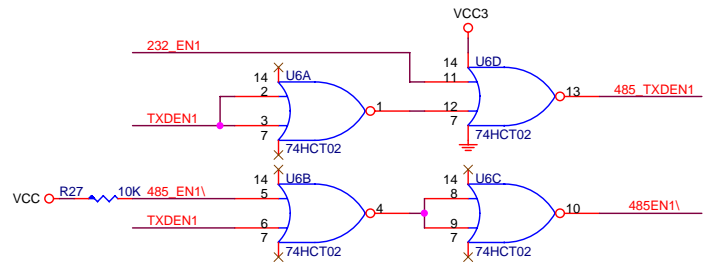
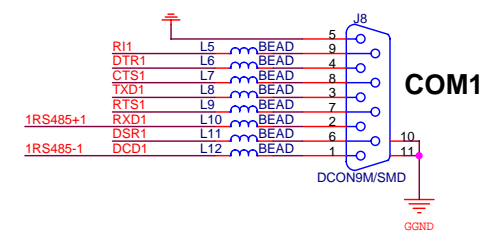
Title		
SD/USB/SATA DOM/RJ45		
Size	Document Number	Rev
DM219		0.2
Date:	Friday, April 19, 2013	Sheet 3 of 6



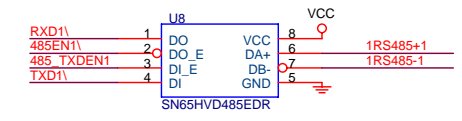
RS232



COM1 RS232/P0



RS485

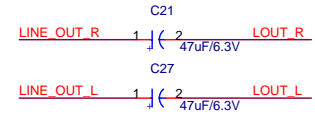
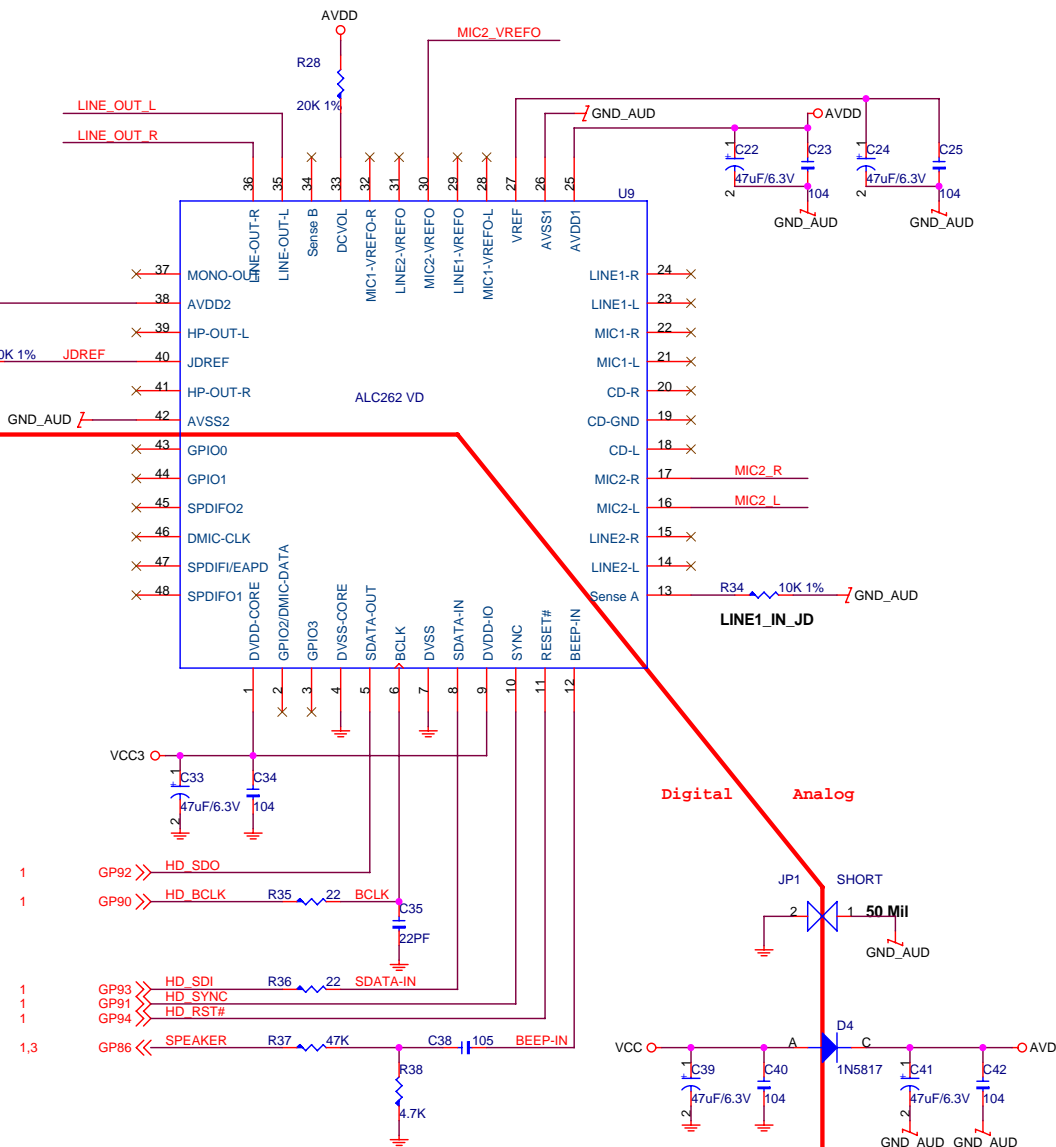


DMP ELECTRONICS INC.

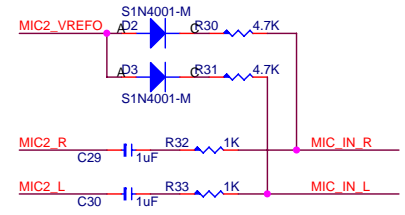


Title		
COM1_RS232/RS485		
Size	Document Number	Rev
	DM219	0.2
Date:	Friday, April 19, 2013	Sheet 4 of 6

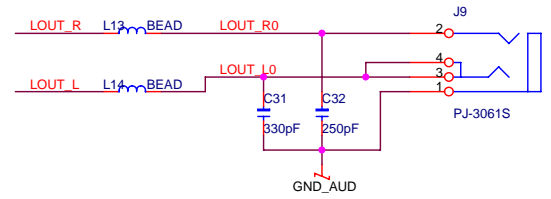
HD AUDIO



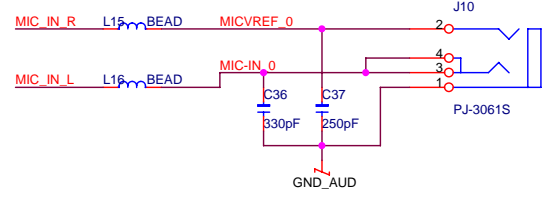
LINE-OUT



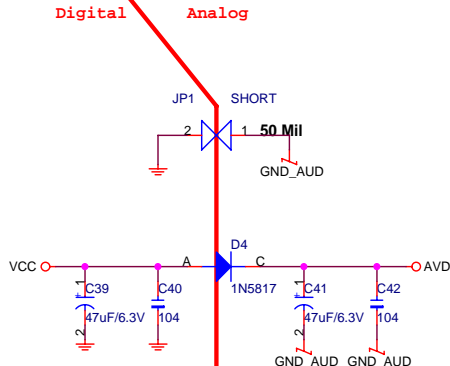
MIC2-IN



LINE-OUT

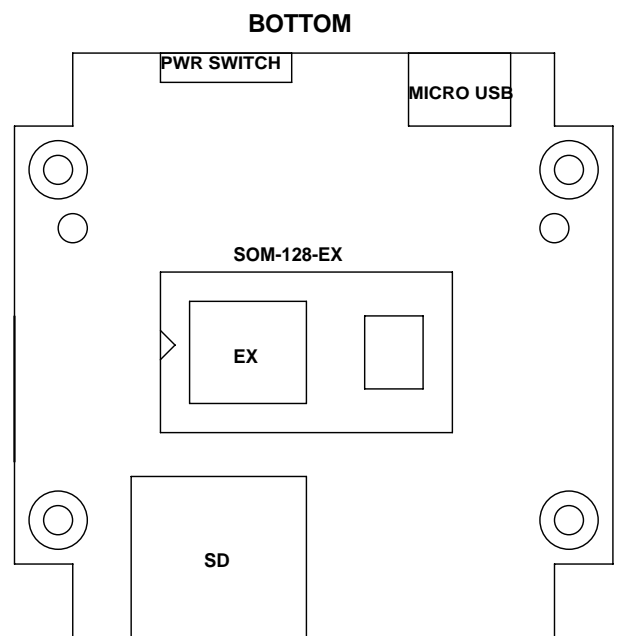
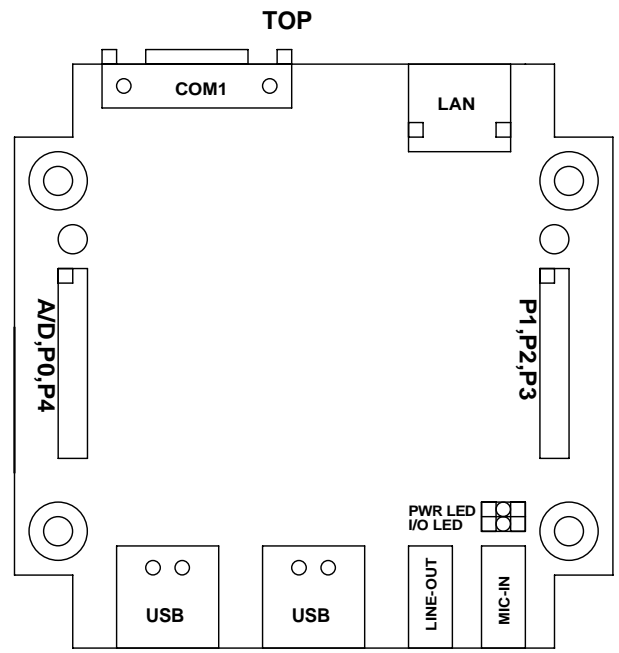
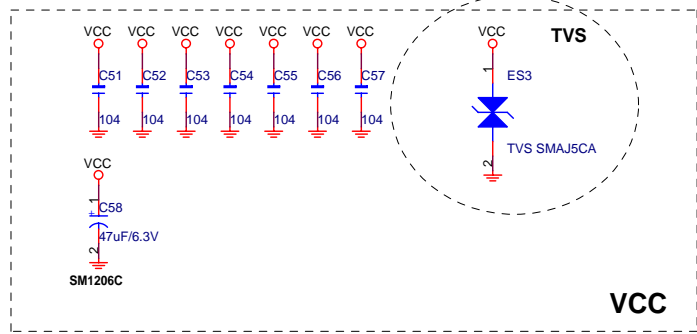
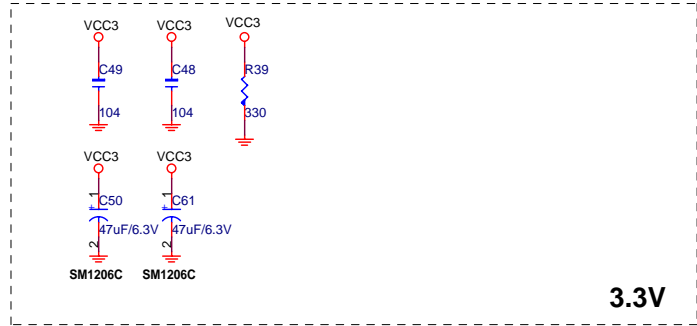
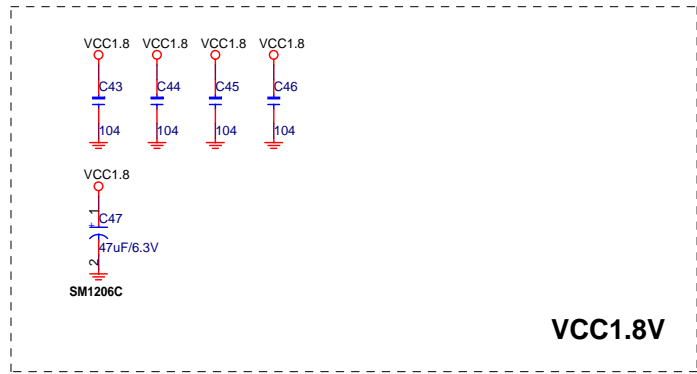


MIC-IN

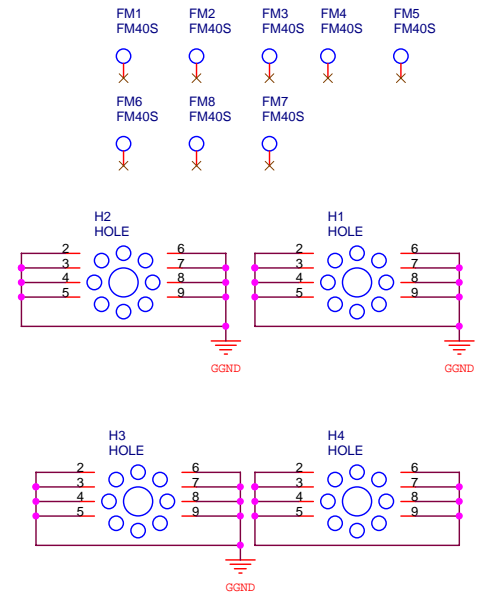


DMP ELECTRONICS INC.		
Title: HD AUDIO ALC262		
Size: Document Number	DM219	Rev: 0.2
Date: Friday, April 19, 2013	Sheet: 5	of 6

BYPASS



VESA-PC-60 SOM-128-EX DAUGHTER BOARD 2



DMP ELECTRONICS INC.		
Title: BYPASS		
Size: DM219	Document Number: DM219	Rev: 0.2
Date: Friday, April 19, 2013	Sheet: 6	of 6