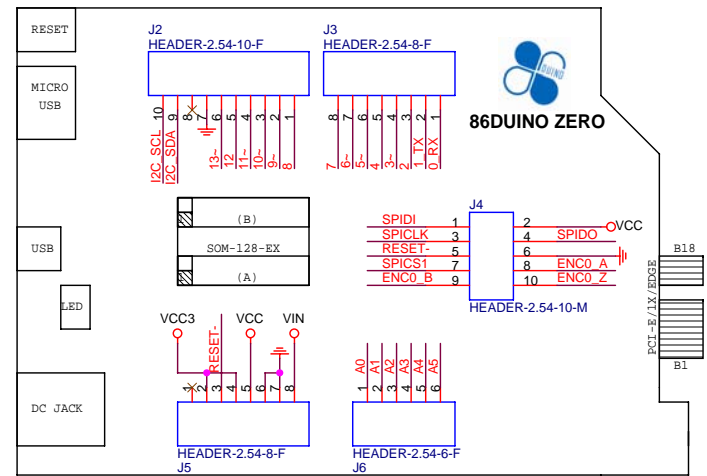
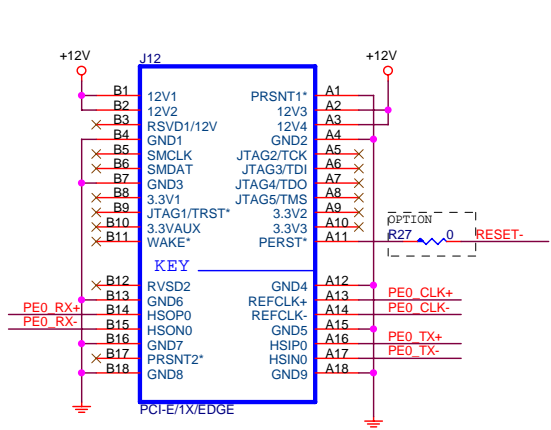


**86DUINO PINDEFINE**

GPIO PIN	EX	86DUINO	GPIO PIN	EX	86DUINO
GP00			GP50		
GP01			GP51		
GP02			GP52		
GP03			GP53		
GP04			GP54		
GP05			GP55		
GP06			GP56		
GP07			GP57		
GP10	RICH-I/O	I2C_SCL	GP60	SDA D2	
GP11	RICH-I/O	I2C_SDA	GP61	SDA D3	
GP12	COM1 TXD1	1 TX	GP62	SDA_CMD	
GP13	COM1 RXD1	0 RX	GP63	SDA_CLK	
GP14			GP64	SDA D0	
GP16			GP66	SDA D1	
GP17			GP67	SDA_CD	
GP17			GP67	SDA_WP	
GP20	MP00	ENCO_A	GP70	GPIO	USB_DET
GP21	MP01	9-	GP71	GPIO	USB_ON_OFF
GP22	MP02	ENCO_B	GP72	GPIO	TX_LED
GP23	MP03	6-	GP73	GPIO	
GP24	MP05	5-	GP74	GPIO	
GP25	MP04	ENCO_Z	GP75	GPIO	
GP26			GP76	GPIO	
GP27	MP31	3-	GP77	GPIO	
GP30			GP77	GPIO	
GP32	MP11	13~	GP78	GPIO	
GP33	MP13	11~	GP79	GPIO	
GP34	MP15	10~	GP80	RICH-I/O	SPICS1
GP35			GP81	RICH-I/O	SPICLK
GP36			GP82	RICH-I/O	SPIDI
GP37			GP83	RICH-I/O	SPIDO
GP40	GPIO	12	GP84		
GP41	GPIO	8	GP85		
GP42			GP86		
GP43	GPIO	7	GP87		
GP44			GP90		
GP45	GPIO	4	GP91		
GP46			GP92		
GP47	GPIO	2	GP93		
			GP94		
			GP95		
			GP96	RICH-I/O	USB_DEV+
			GP97	RICH-I/O	USB_DEV-

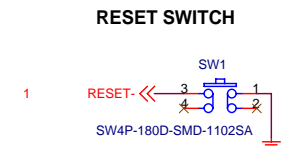
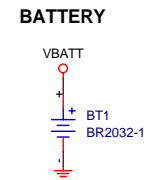
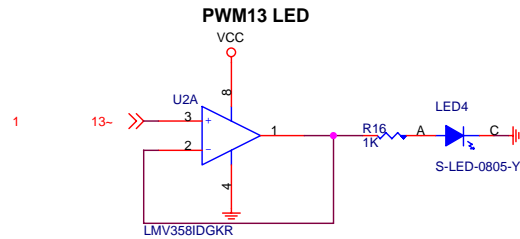
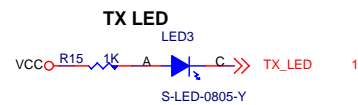
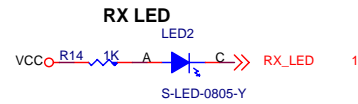
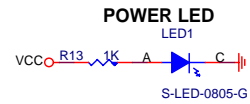
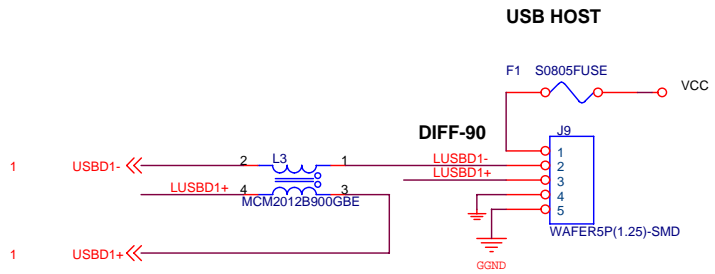
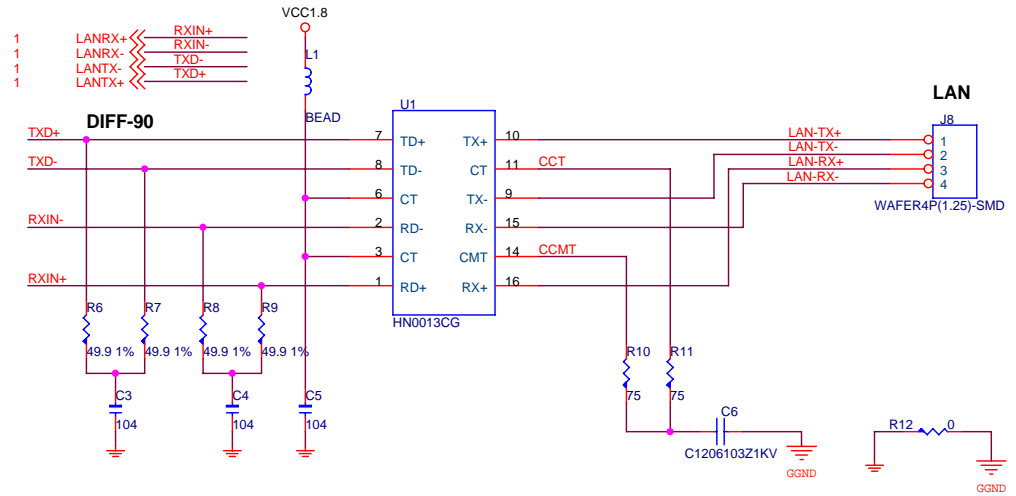
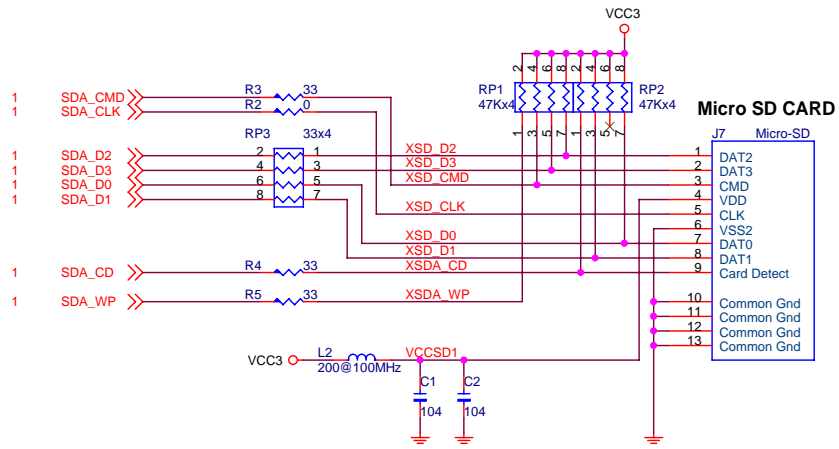


**PCB NO. DM222**  
**86DUINO ZERO**  
**VER:1.4**

**DMP ELECTRONICS INC.**



Title			86DUINO ZERO
Size	Document Number	Rev	1.4
Date:	Tuesday, April 16, 2013	Sheet	1 of 3



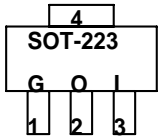
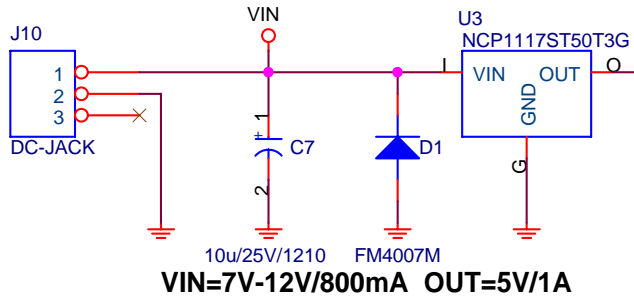
**DMP ELECTRONICS INC.**

Title: SD/LAN/USB/LED/BAT/RST

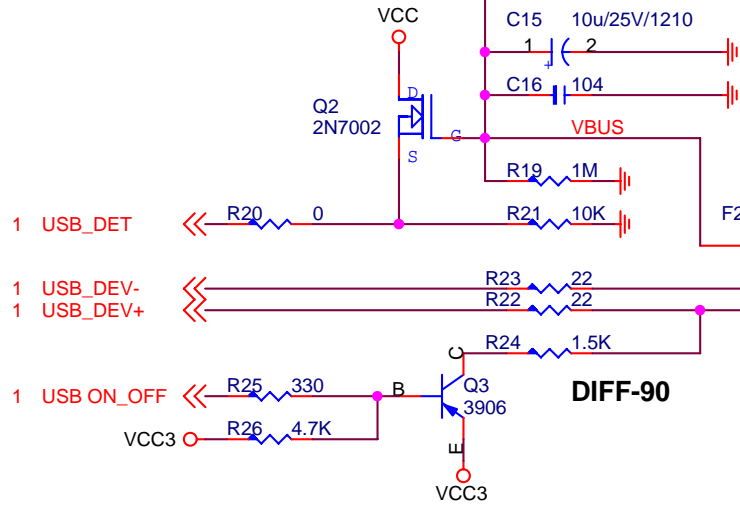
Size: Document Number DM222 Rev 1.4

Date: Tuesday, April 16, 2013 Sheet 2 of 3

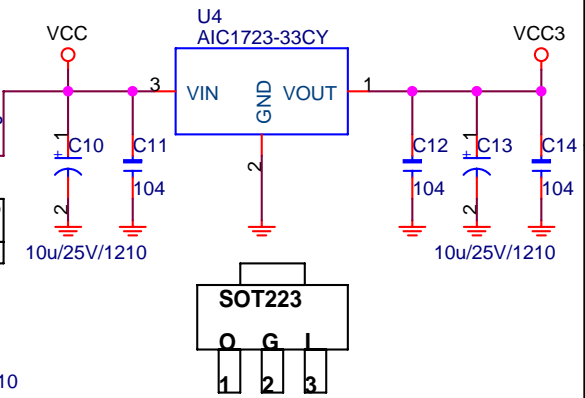
**INPUT:7V-12V**



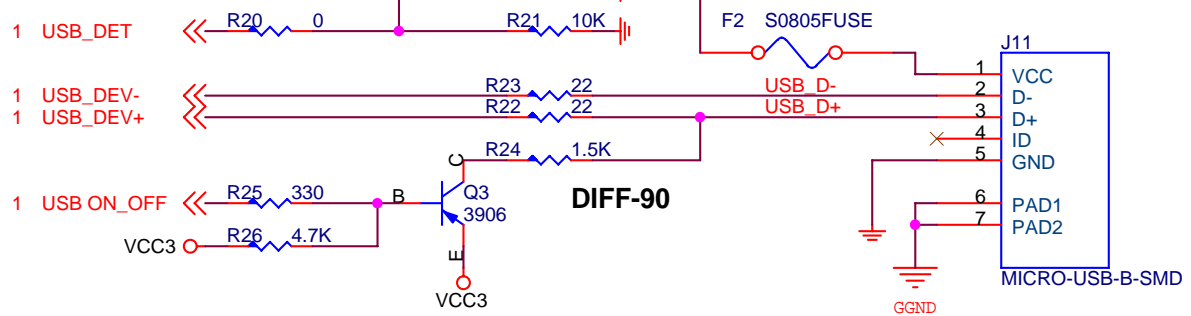
**+5V AUTO SELECTOR**



**DC TO DC**  
**OUT=3.3V/500mA SIZE=SOT-223**

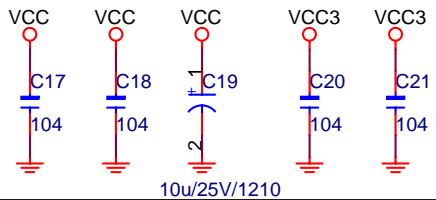


**MICRO USB TYPE-B CONN**

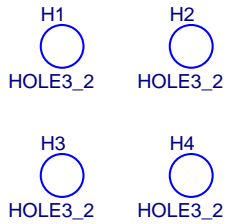


**DIFF-90**

**BY PASS**



**HOLE**



**DMP ELECTRONICS INC.**



Title		
POWER BYPASS		
Size	Document Number	Rev
	DM222	1.4
Date:	Tuesday, April 16, 2013	Sheet 3 of 3