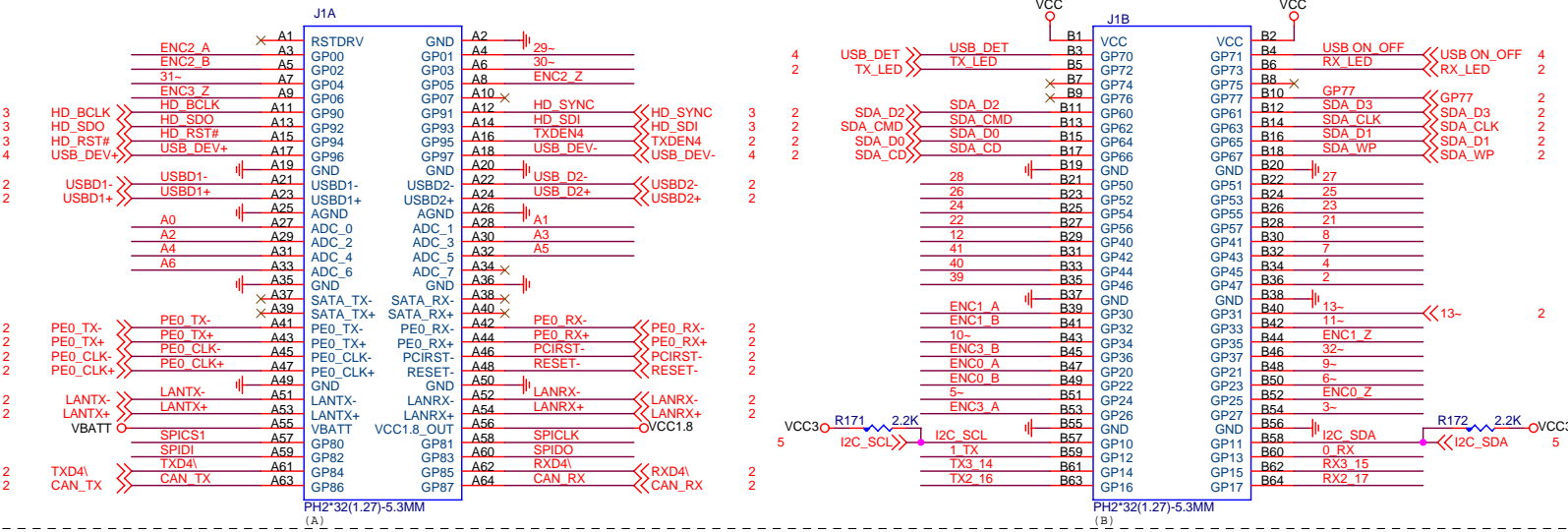
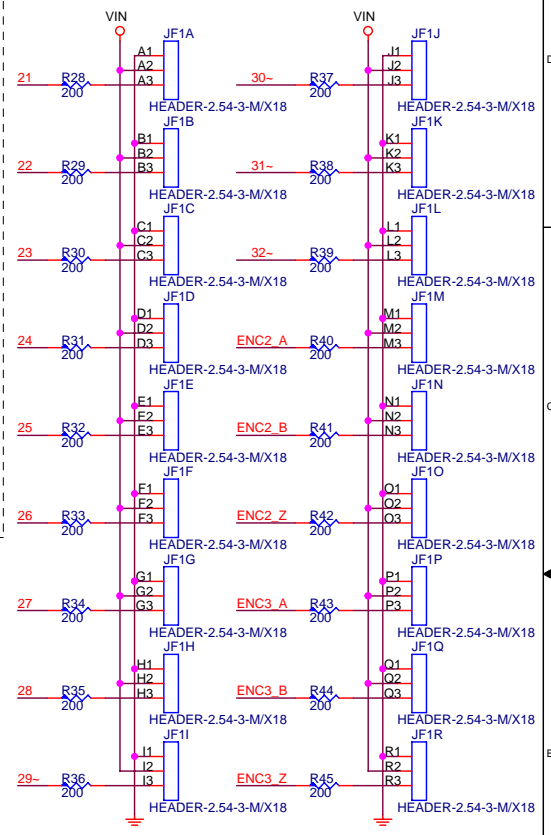


Vortex86EX SOM-128-EX Module

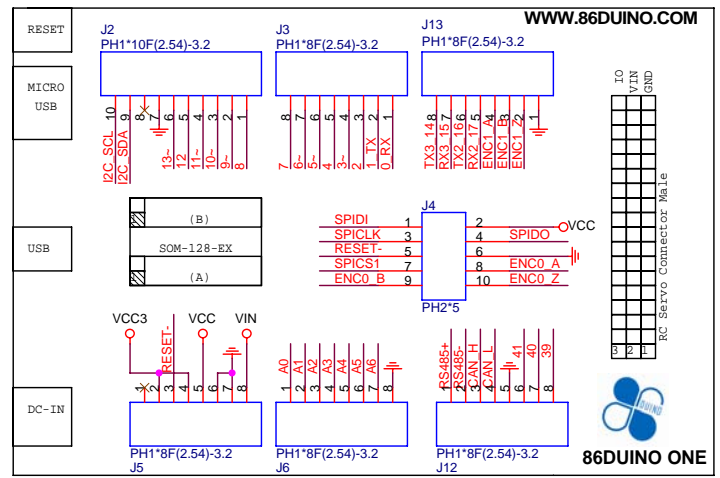


RC Servo Connector



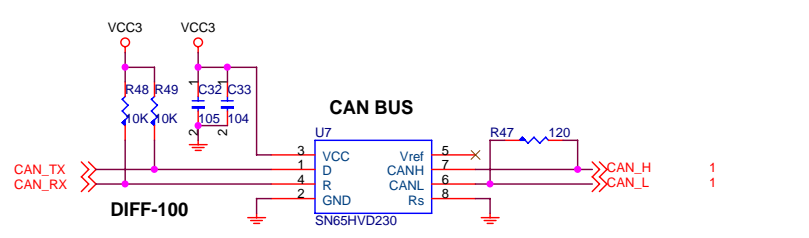
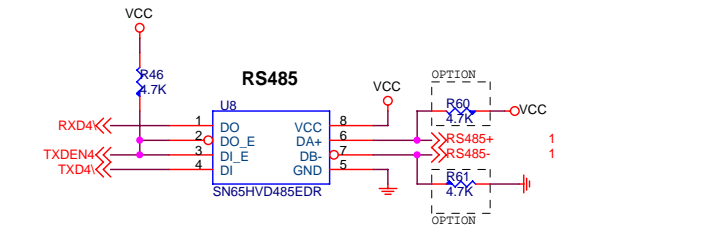
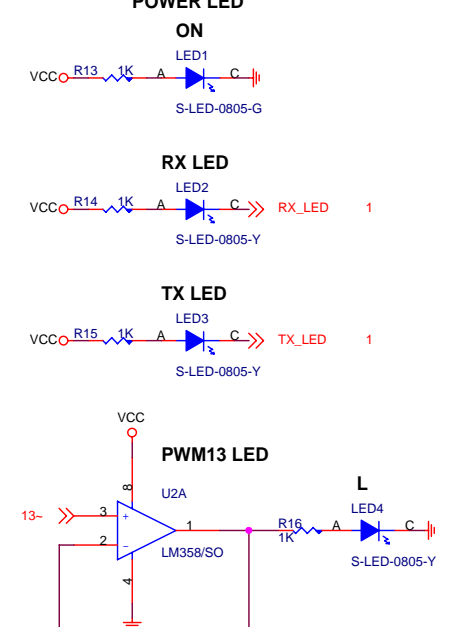
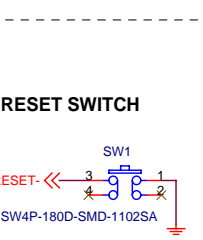
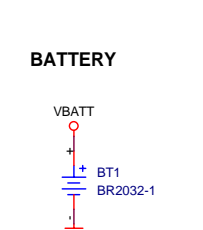
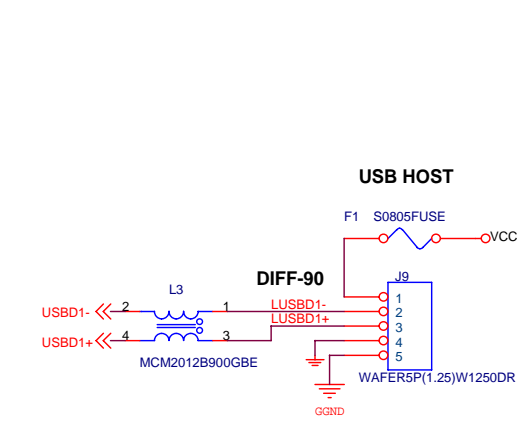
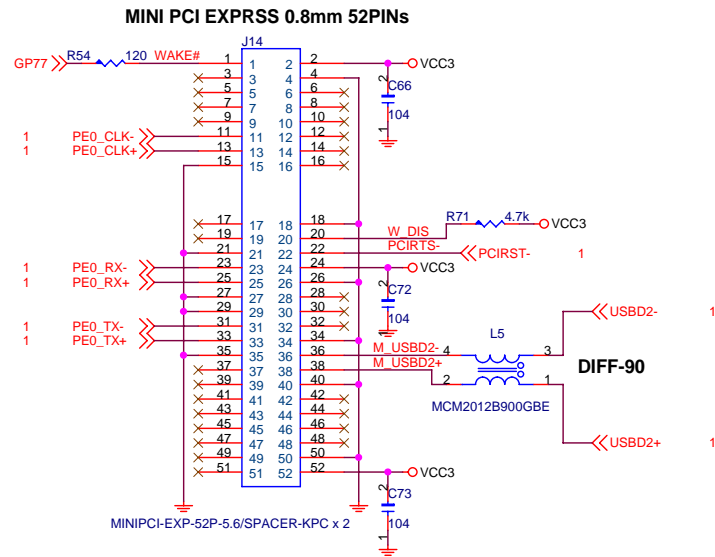
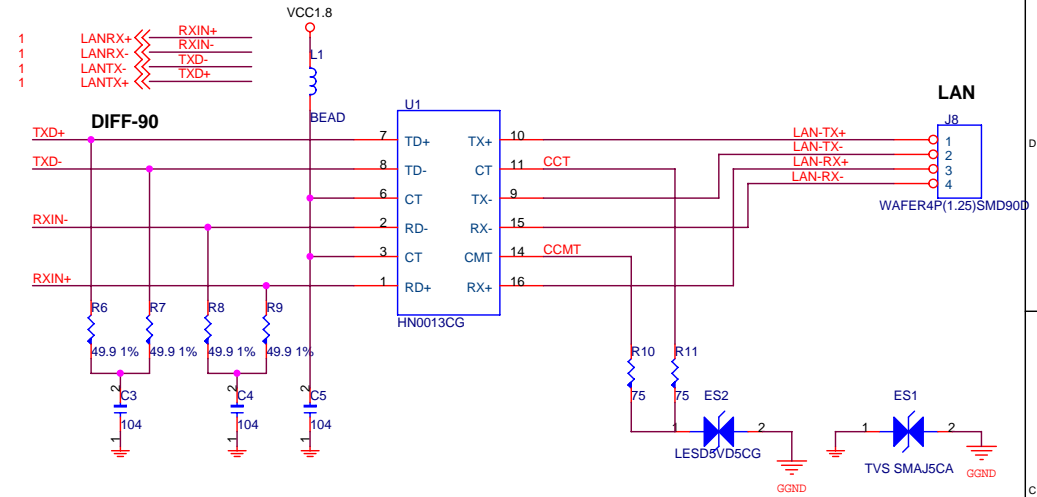
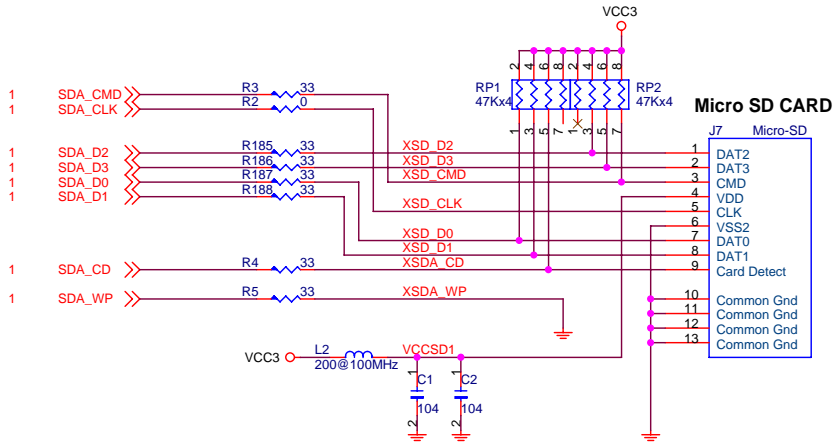
86DUINO ONE PIN DEFINE

GPIO PIN	EX	86DUINO ONE	GPIO PIN	EX	86DUINO ONE
GP00	MP20	ENC2_A	GP50	GPIO	28
GP01	MP21	29-	GP51	GPIO	27
GP02	MP22	ENC2_B	GP52	GPIO	26
GP03	MP23	30-	GP53	GPIO	25
GP04	MP25	31-	GP54	GPIO	24
GP05	MP24	ENC2_Z	GP55	GPIO	23
GP06	MP34	ENC3_Z	GP56	GPIO	22
GP07			GP57	GPIO	21
GP10	RICH-I/O	I2C_SCL	GP60	SDA D2	
GP11	RICH-I/O	I2C_SDA	GP61	SDA D3	
GP12	COM1 TXD1	1 TX	GP62	SDA CMD	
GP13	COM1 RXD1	0 RX	GP63	SDA CLK	
GP14	COM3 TXD3	TX3_14	GP64	SDA D0	
GP15	COM3 RXD3	RX3_15	GP65	SDA D1	
GP16	COM2 TXD2	TX2_16	GP66	SDA CD	
GP17	COM2 RXD2	RX2_17	GP67	SDA WP	
GP20	MP00	ENC0_A	GP70	GPIO	USB_DET
GP21	MP01	9-	GP71	GPIO	USB_ON_OFF
GP22	MP02	ENC0_B	GP72	GPIO	TX_LED
GP23	MP03	6-	GP73	GPIO	RX_LED
GP24	MP05	5-	GP74		
GP25	MP04	ENC0_Z	GP75		
GP26	MP30	ENC3_A	GP76		
GP27	MP31	3-	GP77	GPIO	WAKE#
GP30	MP10	ENC1_A	GP80	RICH-I/O	SPICS1
GP31	MP11	13-	GP81	RICH-I/O	SPICLK
GP32	MP12	ENC1_B	GP82	RICH-I/O	SPIDI
GP33	MP13	11-	GP83	RICH-I/O	SPIDO
GP34	MP15	10-	GP84	COM4 TXD4	RS485+
GP35	MP14	ENC1_Z	GP85	COM4 RXD4	RS485-
GP36	MP32	ENC3_B	GP86	CAN TX	CAN_H
GP37	MP33	32-	GP87	CAN RX	CAN_L
GP40	GPIO	12	GP90	RICH-I/O	HD_BCLK
GP41	GPIO	8	GP91	RICH-I/O	HD_SYNC
GP42	GPIO	41	GP92	RICH-I/O	HD_SDO
GP43	GPIO	7	GP93	RICH-I/O	HD_SDI
GP44	GPIO	40	GP94	RICH-I/O	HD_RST#
GP45	GPIO	4	GP95	RICH-I/O	TXDEN4
GP46	GPIO	39	GP96	RICH-I/O	USB_DEV+
GP47	GPIO	2	GP97	RICH-I/O	USB_DEV-



PCB NO. DM223B
86DUINO ONE
VER:1.0
 WWW.86DUINO.COM

DMP ELECTRONICS INC.		
Title	86DUINO ONE PINDEFINE	
Size	Document Number	Rev
	DM223B	1.0
Date:	Tuesday, December 10, 2013	Sheet 1 of 5

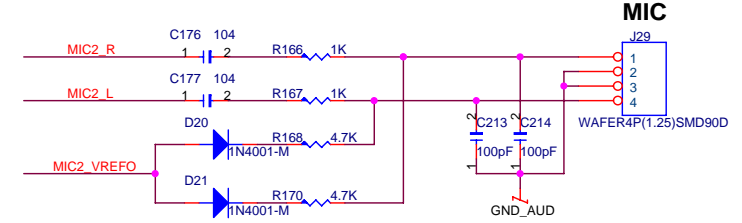
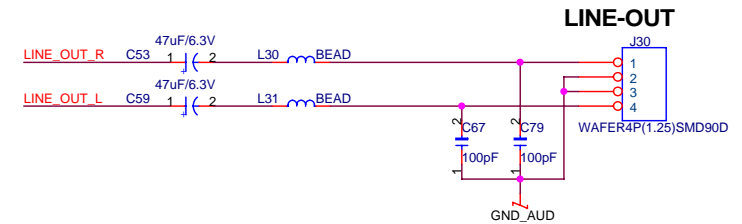
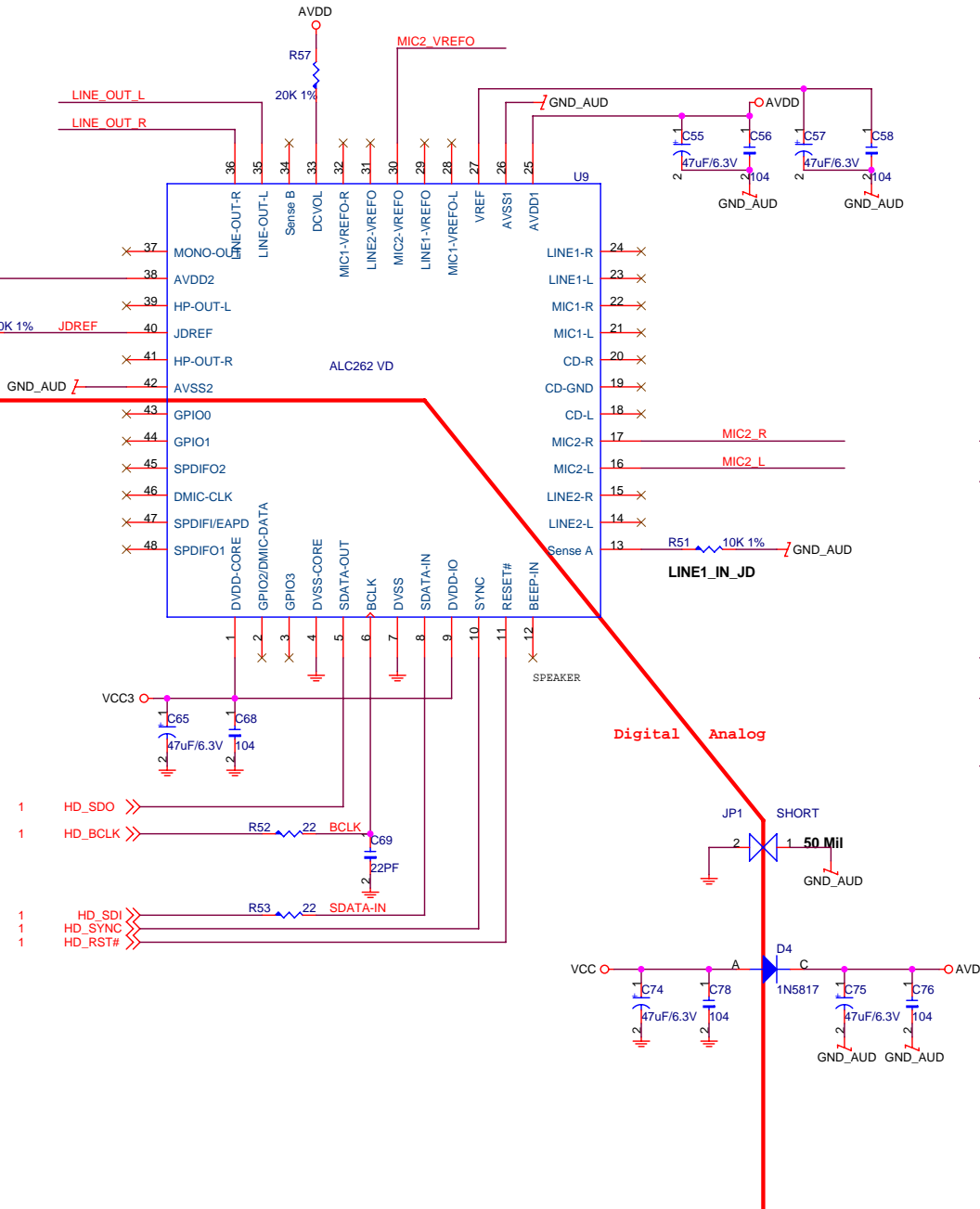


DMP ELECTRONICS INC.

Title: SD/LAN/USB/LED/BAT/RST/MINI PCI/485/CAN

Size	Document Number DM223B	Rev 1.0
Date: Monday, December 09, 2013	Sheet 2 of 5	

HD AUDIO



DMP ELECTRONICS INC.

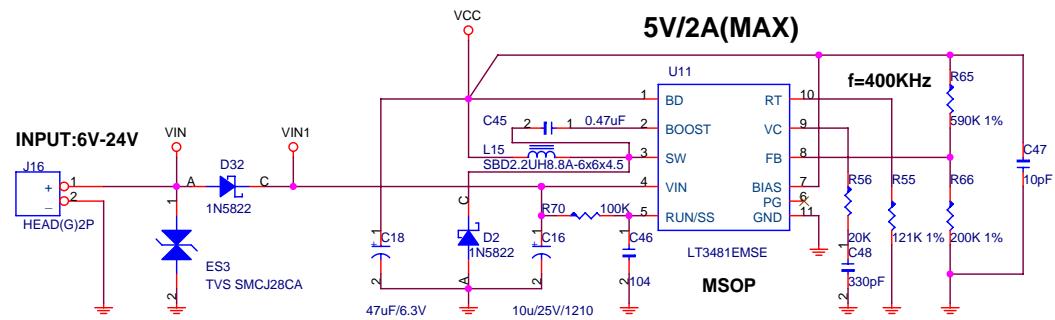
Title: HD AUDIO ALC262

Size: Document Number DM223B Rev 1.0

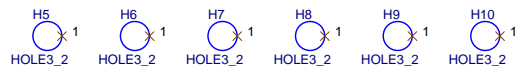
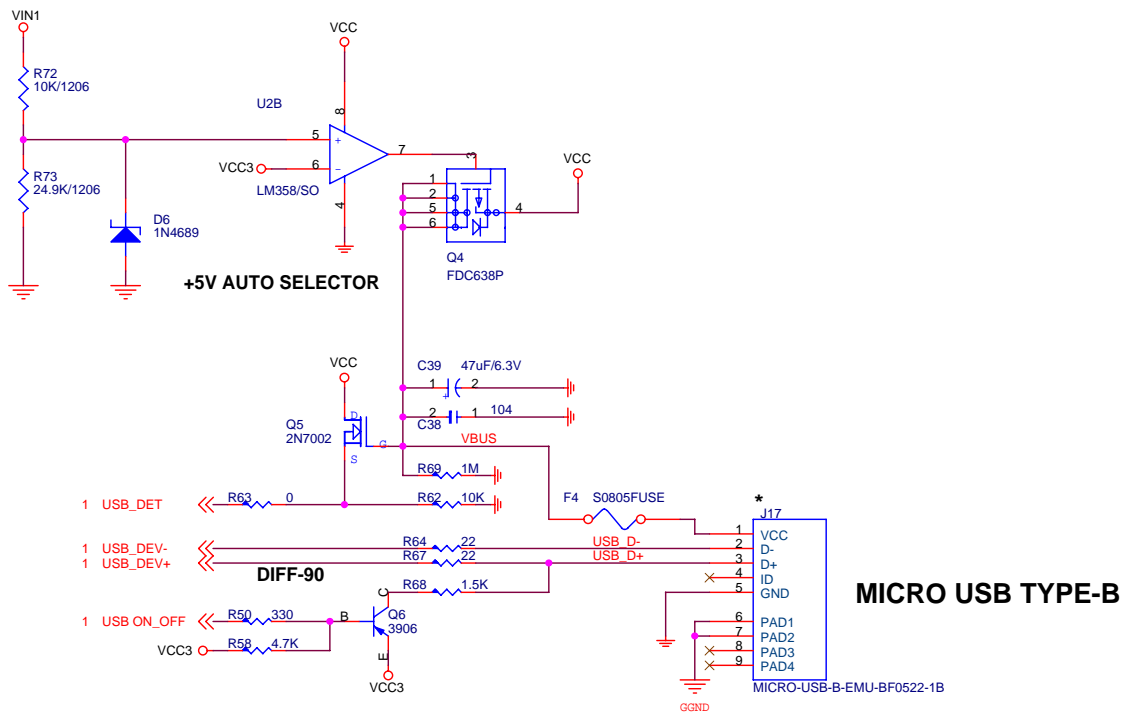
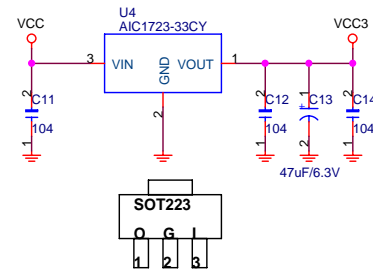
Date: Monday, December 09, 2013 Sheet 3 of 5

DC TO DC

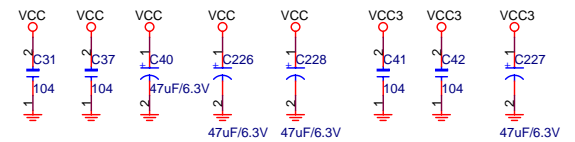
5V/2A(MAX)



OUT=3.3V/500mA SIZE=SOT-223



BY PASS



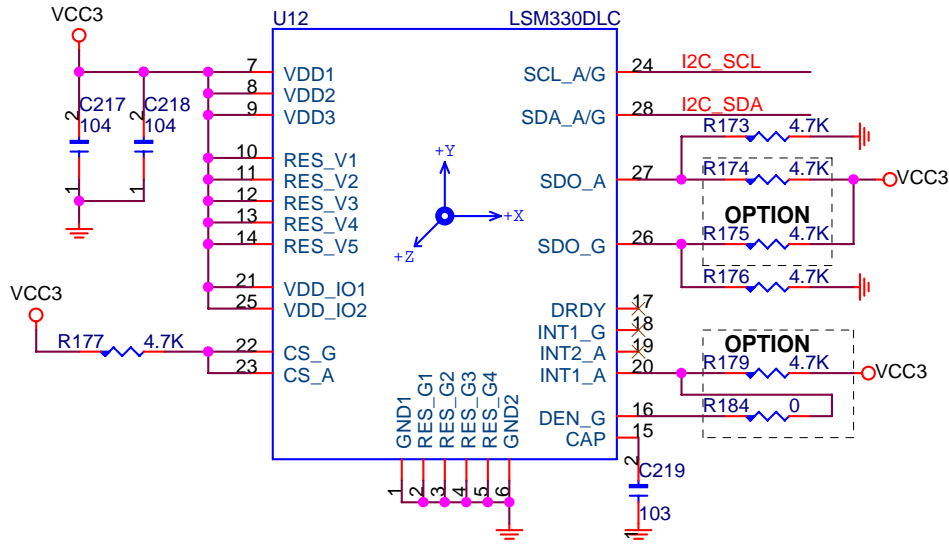
DMP ELECTRONICS INC.



Title		POWER BYPASS
Size	Document Number	Rev
	DM223B	1.0
Date:	Tuesday, December 10, 2013	Sheet 4 of 5

3D Accelerometer & GYRO

1 I2C_SCL >> I2C_SCL
 1 I2C_SDA >> I2C_SDA



Linear acceleration Select
DEFAULT
 SD0_A PULL LOW -> Read(31H)
 SD0_A PULL LOW -> Write(30H)

OPTION
 SD0_A PULL HI -> Read(33H)
 SD0_A PULL HI -> Write(32H)

Angular rate Select
DEFAULT
 SD0_G PULL LOW -> Read(D5H)
 SD0_G PULL LOW -> Write(D4H)

OPTION
 SD0_G PULL HI -> Read(D7H)
 SD0_G PULL HI -> Write(D6H)

DMP ELECTRONICS INC.



Title accelerometer&GYRO		
Size	Document Number DM223B	Rev 1.0
Date:	Monday, December 09, 2013	Sheet 5 of 5