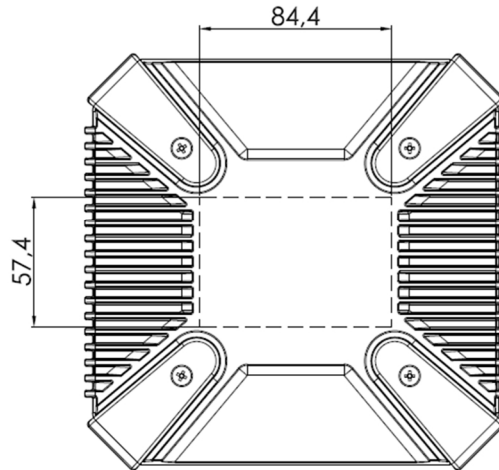


ICE-104 laser logo engraving and I/O port CNC milling area reference

Custom laser logo engraving area

MAX: 84.4 x 57.4 mm (AutoCAD DWG File required)

Your Logo Here



Custom I/O port CNC milling area

MAX: 128.48 x 44.2 mm



Your I/O Port Here

