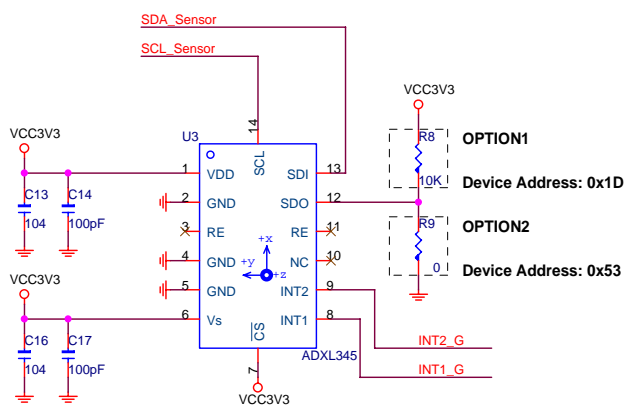
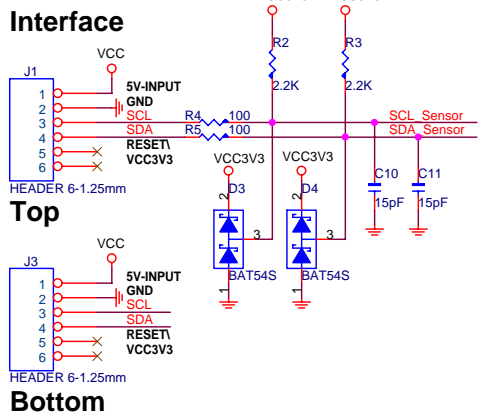
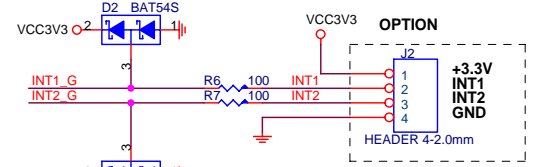


- Header 6 pin - 1.25mm Right Angle
- 1: 5V-INPUT
 - 2: GND
 - 3: SCL
 - 4: SDA
 - 5: RESET1 (Reserved)
 - 6: 3.3V-OUT

Device Address Write : 0x3C
 Device Address Read : 0x3D



3-Axis Digital Accelerometer (G-sensor)



PCB NO. DM144
RoBoard Compass + G-Sensor Module
VER :1.0

DMP ELECTRONICS INC.		
Title: RoBoard Compass+G-Sensor Module		
Size: Document Number	DM144	Rev: 1.0
Date: Thursday, December 10, 2009	Sheet: 1	of 1