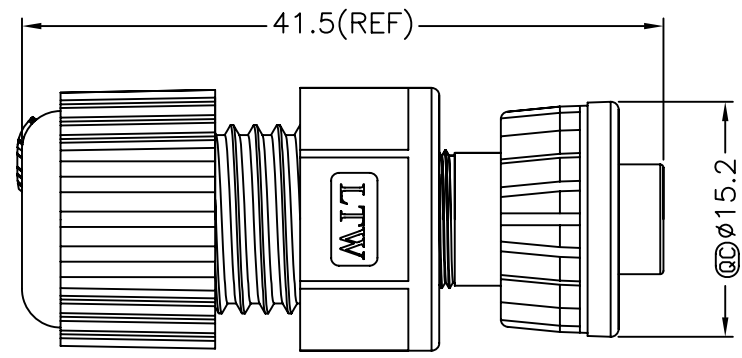
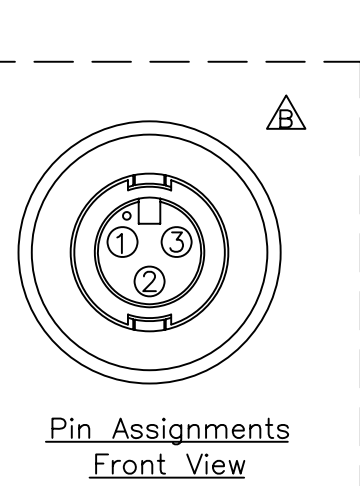
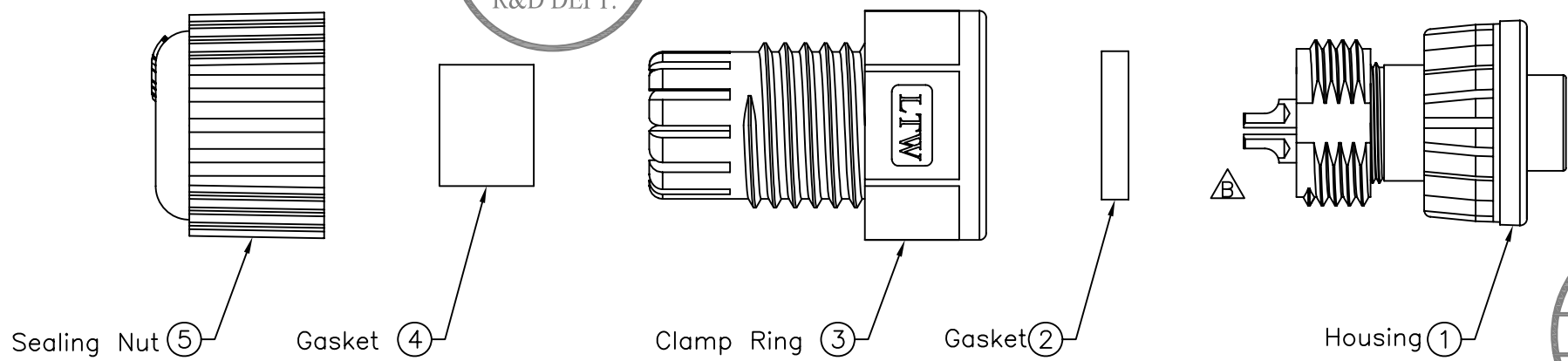


REV	ECN NO.	DATE	SIGN	DESCRIPTION
B	LEN-0C0252	2010/11/25	Ivan Lin	Change View & Frame

ALTW
CONFIDENTIAL
2010.11.26
R&D DEPT.

ALTW
DCC. DEPT.
CONFIDENTIAL
2010.12.15
ISSUED



- Note:
- * @@Important Dimension To Check.
 - * Waterproof Rate: IP67
 - * Housing:Nylon+GF ,Black
 - * Female Pin: Copper Alloy, Gold Plated
 - * Screw Nut:Nylon+GF, Black
 - * O-Ring:EPDM, Black
 - * Gasket:EPDM ,Black
 - * Seal:EPDM, Black
 - * Clamp Ring:Nylon ,Black
 - * Sealing Nut:Nylon ,Black
 - * Seal For Cable OD: ø4.5mm~ø6.5mm
 - * One Set Unassembled In One PE Bag

UNIT:mm		TITLE MINI ASSY SCREW 3P F CONN F PIN	Amphenol LTW 安費諾亮泰企業股份有限公司		ITEM NO LTWAD-03BFFA-SL7001	DRAWN BY Ivan Lin	DATE 2010/11/26
TOLERANCE .X ±0.25 .XX ±0.1 .XXX ±0.05 ANGLES ±1°		SCALE Free	SHEET 1 OF 1		DWG NO LTWAD-03BFFA-SL7001	CHECKED BY Aric	DATE 2010/11/26
		REV. B	SIZE A4	@C :Inspection Item	CUSTOMER	APPROVED BY Yitung	DATE 2010/11/26

THIS DOCUMENT IS SUBJECT TO CHANGE WITHOUT NOTICE. IT IS CONFIDENTIAL AND A PROPERTY OF Amphenol LTW. DISCLOSURE TO THIRD PARTY HAS TO BE AUTHORIZED BY Amphenol LTW.