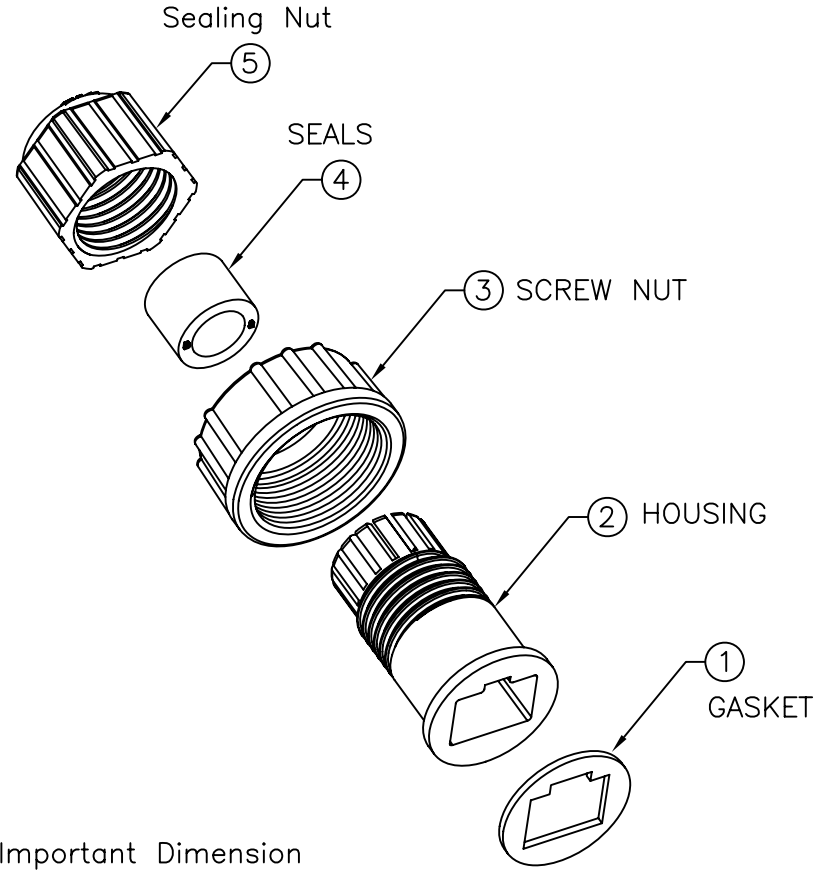
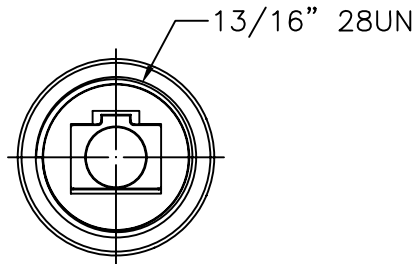
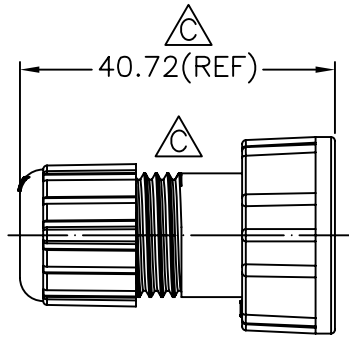
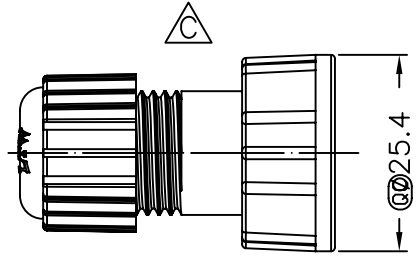


REV.	ECN NO.	DATE	SIGN	DESCRIPTION
B	LEN-6A0093	2006/10/05	Cloyd	Change Drawing Content
C	LE3-740147	2007/04/12	Rita	Change Product Desgin
D	LE3-780065	2007/07/31	Steven	Change Material Description



- Note:
- \* @QD Important Dimension
  - \* Waterproof Rate : IP67
  - \* Gasket:Black,EPDM
  - \* Housing:Black,Nylon
  - \* Screw Nut:Black,Nylon+GF
  - \* Sealing Nut:Black,Nylon
  - \* One Set Unassembled in One PE Bag

UNIT:mm	
TOLERANCE	
.X	±0.25
.XX	±0.1
.XXX	±0.05
ANGLES	±1°

TITLE		13/16" RJ45 ASS'Y TYPE	
SCALE	Free	SHEET	1 OF 1
REV.	D	SIZE	A4
		QC :Inspection Item	

**LTW**  
亮泰企業股份有限公司

ITEM NO	LTWRJ-00BMMA-SL7005
DWG NO	LTWRJ-00BMMA-SL7005
CUSTOMER	

DRAWN BY	Steven
CHECKED BY	Simon
APPROVED BY	Max

DATE	2007/07/31
DATE	2007/07/31
DATE	2007/07/31

THIS DOCUMENT IS SUBJECT TO CHANGE WITHOUT NOTICE. IT IS CONFIDENTIAL AND A PROPERTY OF LTW. DISCLOSURE TO THIRD PARTY HAS TO BE AUTHORIZED BY LTW.