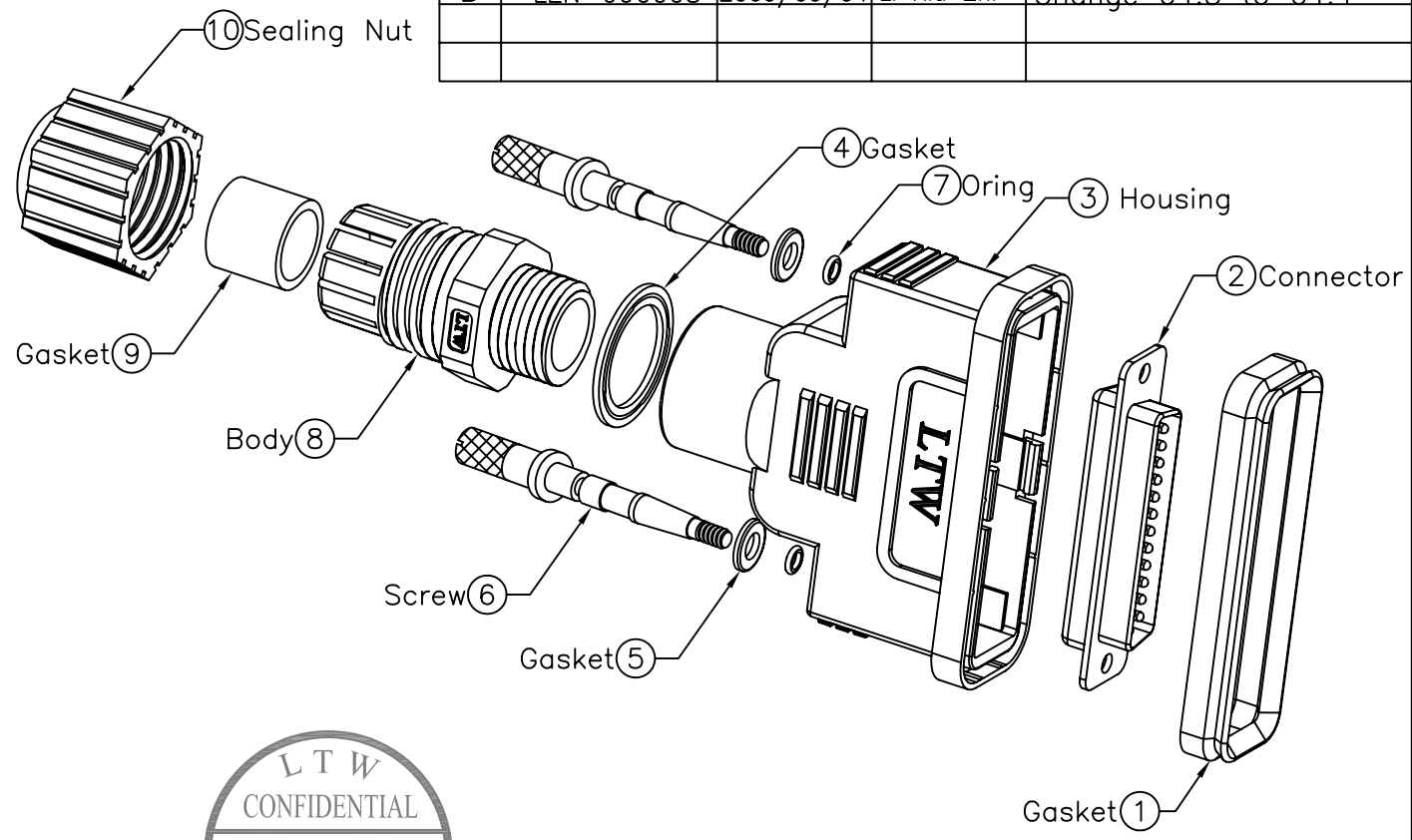
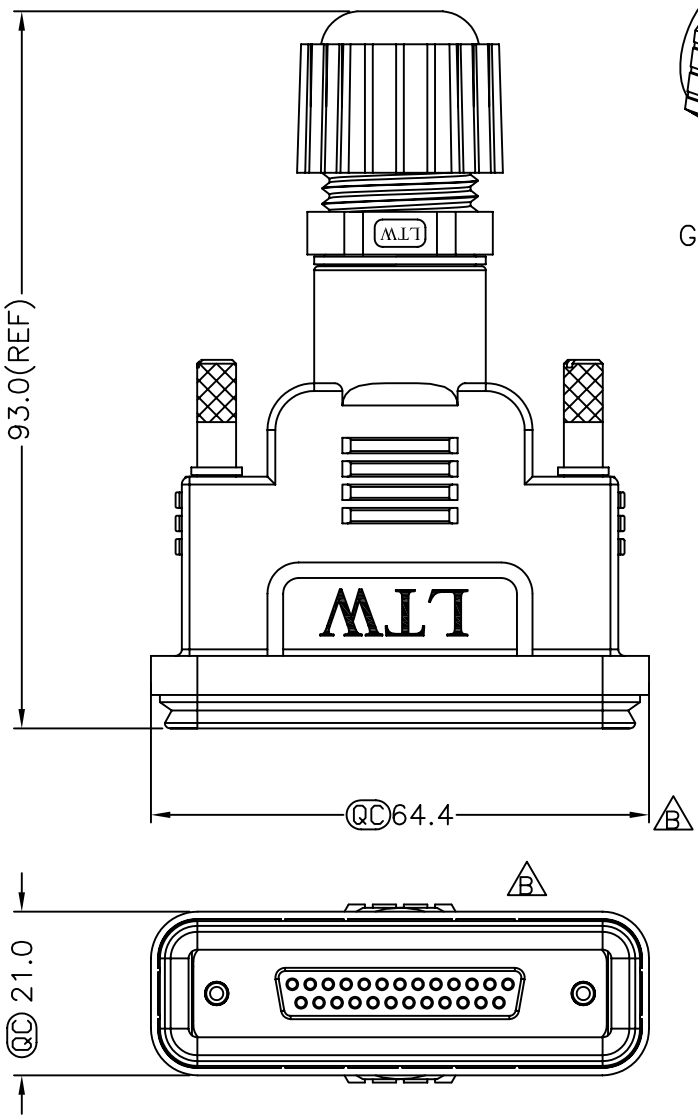


REV.	ECN NO.	DATE	SIGN	DESCRIPTION
B	LEN-990008	2009/09/04	Li Xiu Zhi	Change 64.5 to 64.4

THIS DOCUMENT IS SUBJECT TO CHANGE WITHOUT NOTICE. IT IS CONFIDENTIAL AND A PROPERTY OF LTW. DISCLOSURE TO THIRD PARTY HAS TO BE AUTHORIZED BY LTW.



L T W
CONFIDENTIAL
2009.08.26
R&D DEPT.

L T W
DCC. DEPT.
CONFIDENTIAL
2009.09.08
ISSUED

- Notes:
- * @QC Important Dimension To Check.
 - * Waterproof Rate: IP67
 - * Connector : D-SUB 25Pin Male.
 - * Sealing Nut: Black, Nylon
 - * Seals For Cable OD: $\phi 6.0\text{mm} \sim \phi 10.0\text{mm}$
 - * One Set Unassembled in One PE Bag

UNIT:mm TOLERANCE .X ±0.25 .XX ±0.1 .XXX ±0.05 ANGLES ±1°	TITLE D-SUB Conn Assy Screw DB25Pin M Conn. M Pin		LTW 亮泰企業股份有限公司	ITEM NO LTWSDB-25BMMA-SL7001	DRAWN BY Li Xiu Zhi	DATE 2009/09/04
	SCALE Free	SHEET 1 OF 1		DWG NO LTWSDB-25BMMA-SL7001	CHECKED BY Sunny	DATE 2009/09/04
REV. B	SIZE A4	QC : Inspection Item		CUSTOMER	APPROVED BY Lion	DATE 2009/09/07