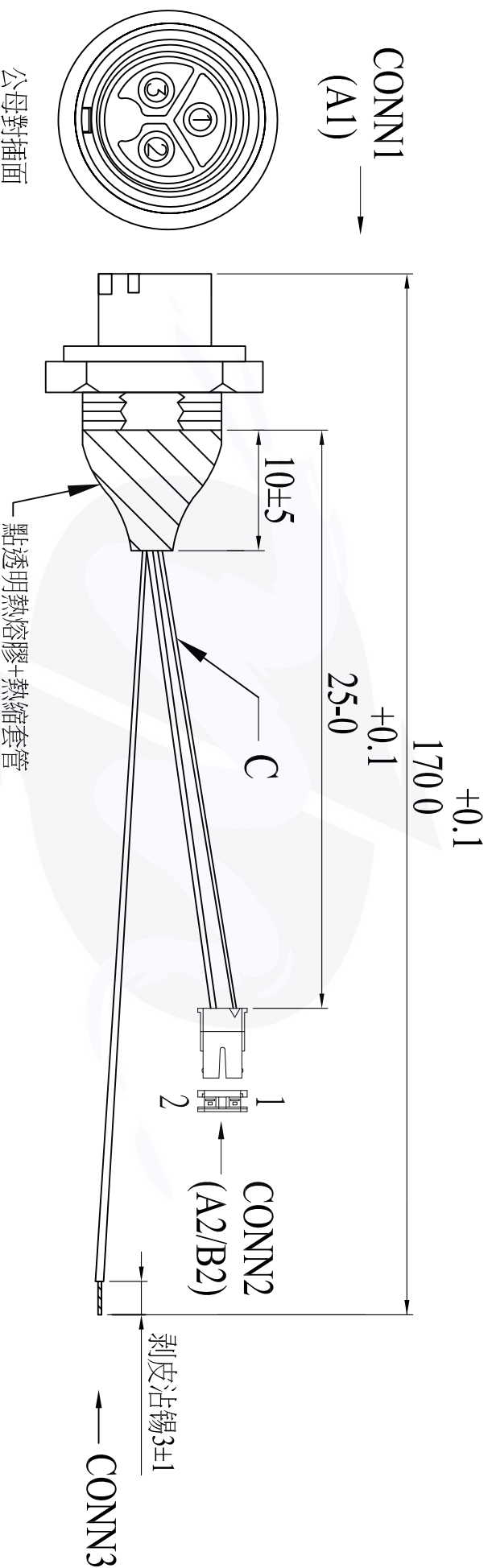


	1	2	3	4	5	6	7
C	WIRE	UL3239 22# 3KV					
B2	TERMINAL	A3500-T(母)	3PCS	SIZE	A4	DRN NAME	AC_3P Connector-ICE_PC-00
A2	HOUSING	A3500H-2P(公) OR BHSR-02VS01(公)	2PCS				DRN NO.
A1	HOUSING	LTWPWC-03BFMA-LL7001	1PCS				ICE_PC-CL002
NO	SORT	DESC	Q' ty				



批准
2014.06.12
研發部

DATE		APPD BY	DSN BY	ENGINEERING CHANGE DESCRIPTION	UNIT:	MM	USED ON	ICE	SCALE:	FREE	PAGE:	OF
△					⊙							
△					△							
△												

BASIC RANGE		DRN BY	DMP ELECTRONICS INC.	
X	XX	DSN BY	Derek	
*****	*****	CKD BY		
ANGULAR \pm DEG		APPD BY		
PART NAME		AC 3P Connector		
PART NO.		CABLE-WP-AC3P-F-17		
REV.		1.0		

THESE DRAWINGS AND SPECIFICATIONS ARE THE PROPERTY OF DMP ELECTRONICS INC. AND SHALL NOT BE REPRODUCED OR USED AS THE BASIS FOR THE MANUFACTURE OR SELL OF APPARATUS OR DEVICES WITHOUT PERMISSION.