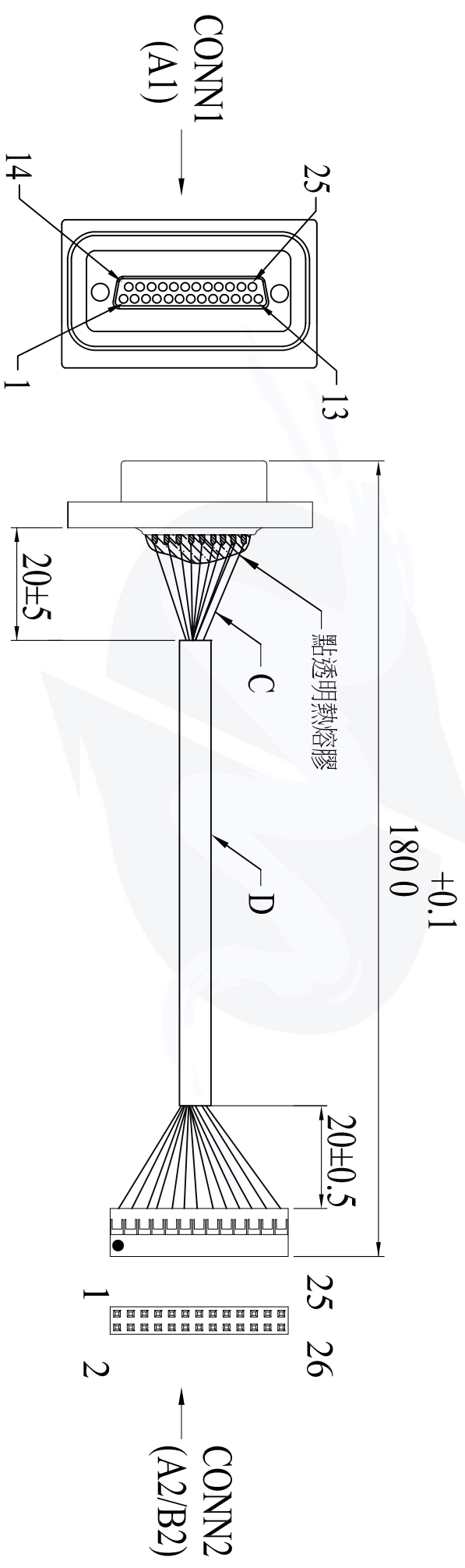


1	套管	2	φ6.0	3	1PCS	4	SIZE	5	DRN NAME	6	DRN NO.	7	ICE_PC-CL004
D	WIRE		UL10064 28#		25PCS		A4		D-SUB_25PIN-ICE_PC-00				
C	TERMINAL		WL2004-G		25PCS								
B2	HOUSING		WL2004H-2*13P OR DP2.0-2*13P		1PCS								
A2	HOUSING		D-SUB-25P(母) / WP-DSUB25P-F(客供)		1PCS								
A1	HOUSING				1PCS								
NO	SORT		DESC		Q'ty								



批准  
2014.06.12  
研發部

DATE		APPD BY	DSN BY	ENGINEERING CHANGE DESCRIPTION	UNTT.	MM	USED ON	ICE	SCALE:	FREE	PAGE:	OF
△					⊕	△	PART NAME	D-SUB 25PIN				
△					ANGULAR ± DEG		APPD BY					
△					*****		CKD BY					
△					*****		DSN BY	Derek				
△					BASIC RANGE		DRN BY					
△					X	XX	DSN BY					
△					DMP ELECTRONICS INC.							
△					THESE DRAWINGS AND SPECIFICATIONS ARE THE PROPERTY OF DMP ELECTRONICS INC. AND SHALL NOT BE REPRODUCED OR USED AS THE BASIS FOR THE MANUFACTURE OR SELL OF APPARATUS OR DEVICES WITHOUT PERMISSION.							
△					PART NO.		CABLE-WP-DB25-F-18					
△					REV		1.0					