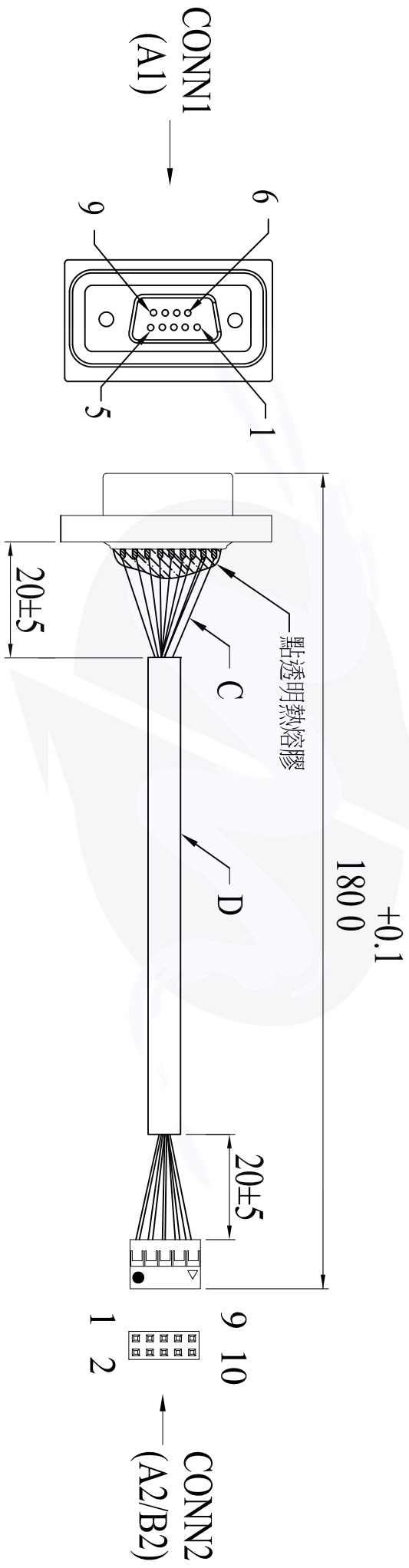


1	2	3	4	5	6	7
D	套管	φ3.0	1PCS	SIZE	A4	DRN NAME
C	WIRE	UL10064 28#	9PCS	D-SUB_9PIN-ICE_PC-00	DRN NO.	ICE_PC-CL003
B2	TERMINAL	WL2004-G	9PCS			
A2	HOUSING	WL2004H-2*5P OR DP2.0-2*5P	1PCS			
A1	HOUSING	D-SUB-9P(公) /WP-DSUB9P-M(客供)	1PCS			
NO	SORT	DESC	Q'ty			



批准
 2014.06.12
 研發部

BASIC RANGE		DRN BY	DMP ELECTRONICS INC.	
X	XX	DSN BY	Derek	
*****	*****	CKD BY		
ANGULAR ± DEG		APPD BY		
PART NAME		D-SUB 9PIN		
PART NO.		CABLE-WP-DB9-M-18		
REV.		1.0		

DATE	APPD BY	DSN BY	ENGINEERING CHANGE DESCRIPTION

UNIT:	MM	USED ON	ICE	SCALE:	FREE	PAGE:	1	OF	1
-------	----	---------	-----	--------	------	-------	---	----	---

THESE DRAWINGS AND SPECIFICATIONS ARE THE PROPERTY OF DMP ELECTRONICS INC. AND SHALL NOT BE REPRODUCED OR USED AS THE BASIS FOR THE MANUFACTURE OR SELL OF APPARATUS OR DEVICES WITHOUT PERMISSION.