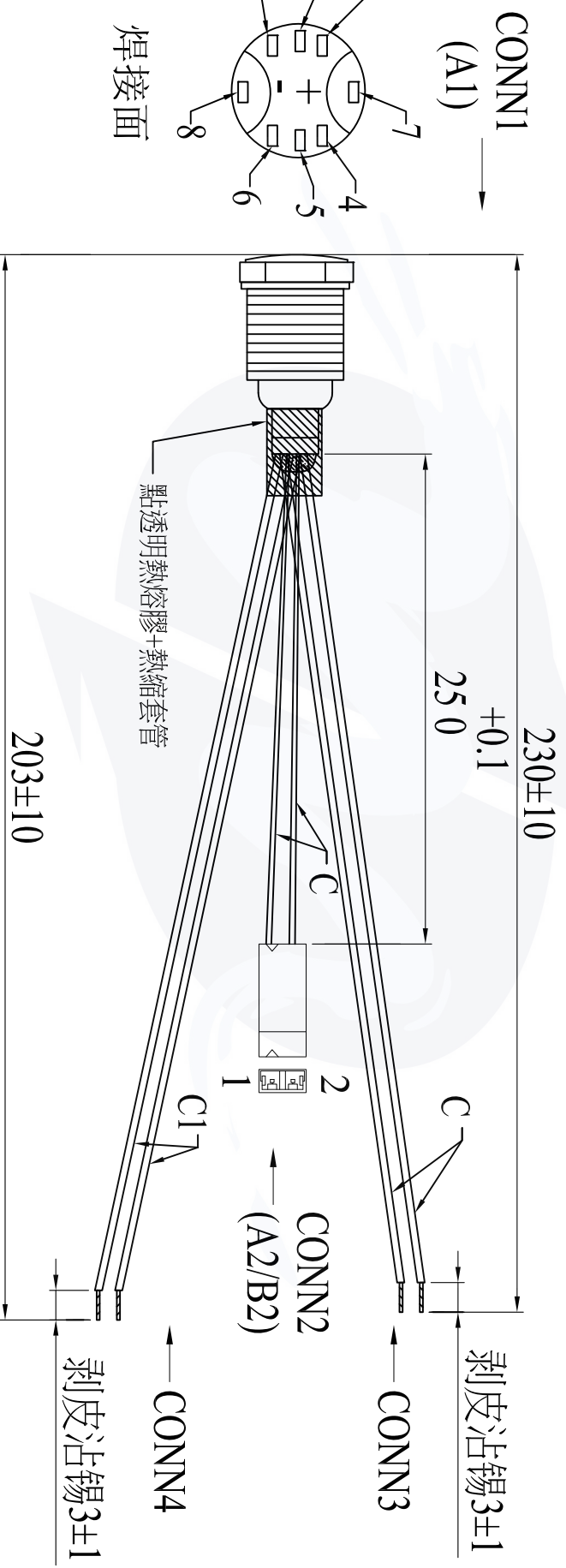


C1	WIRE	UL10064 28#	2PCS
C	WIRE	UL3239 22#3KV	4PCS
B2	TERMINAL	A3500-T(公)	2PCS
A2	HOUSING	A3500H-2P(母) OR BHSR-02V/S01(母)	1PCS
A1	HOUSING	WP-SW+LED_RED(客供)	1PCS
NO	SORT	DESC	Q'ty

SIZE	A4	DRN NAME	SWITCH-ICE_PC-00	DRN NO.	ICE_PC-CL010
------	----	----------	------------------	---------	--------------



批准  
2014.06.12  
研發部

DATE		APPD BY	DSN BY	ENGINEERING CHANGE DESCRIPTION	UNIT:	MM	USED ON	ICE	SCALE:	FREE	PAGE:	OF
△					ANGULAR ± DEG			SWITCH				
△					*****							
△					*****							
					BASIC RANGE	DRN BY			DMP ELECTRONICS INC.			
					X	DSN BY	Derek	06-12-2014				
					*****	CKD BY						
					ANGULAR ± DEG	APPD BY						
					PART NAME							
					PART NO.	CABLE-WP-SW-A-23			REV.	1.0		

THESE DRAWINGS AND SPECIFICATIONS ARE THE PROPERTY OF DMP ELECTRONICS INC. AND SHALL NOT BE REPRODUCED OR USED AS THE BASIS FOR THE MANUFACTURE OR SELL OF APPARATUS OR DEVICES WITHOUT PERMISSION.