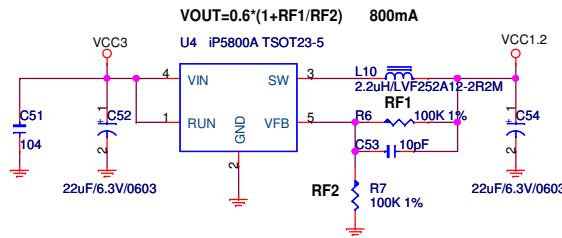
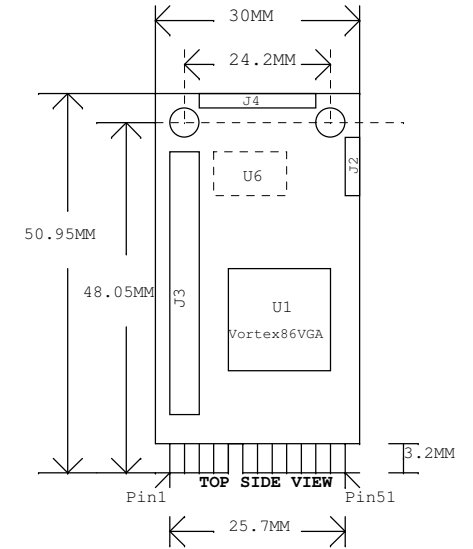
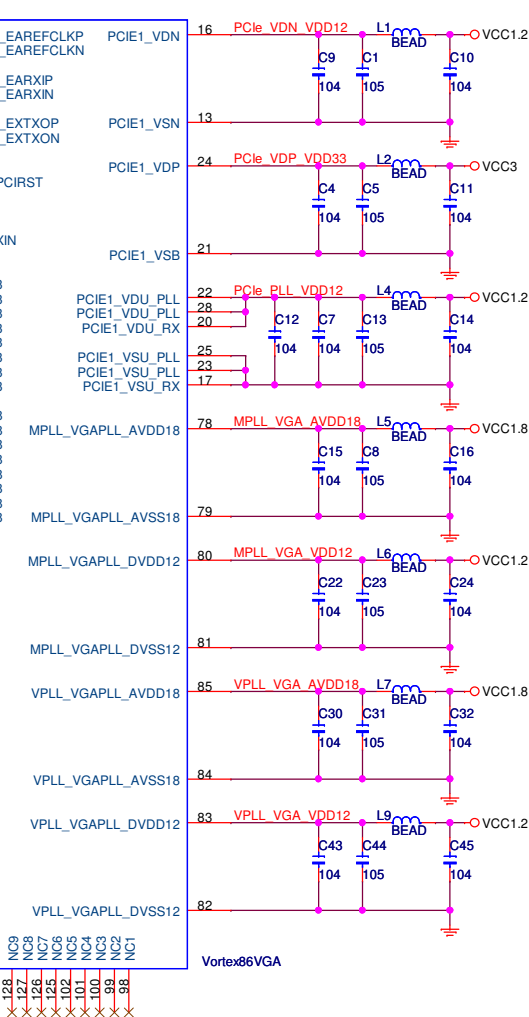
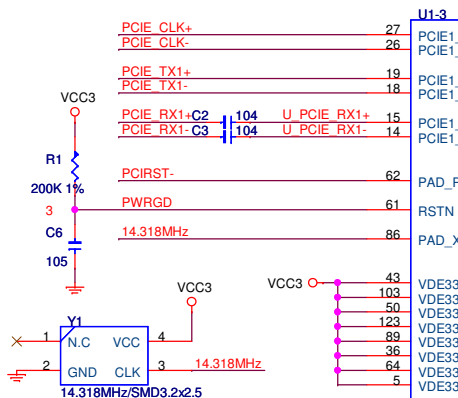
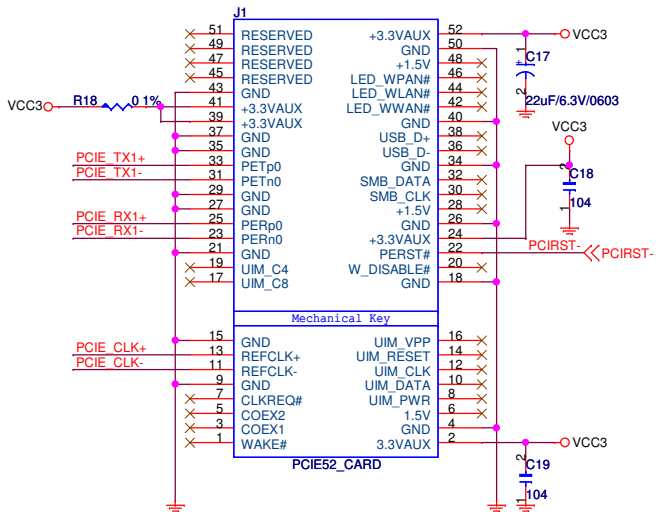
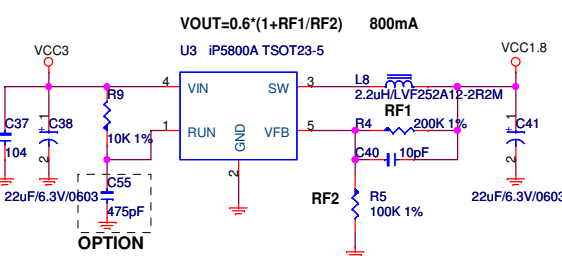


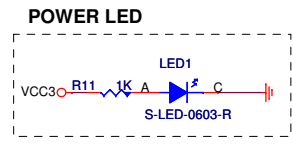
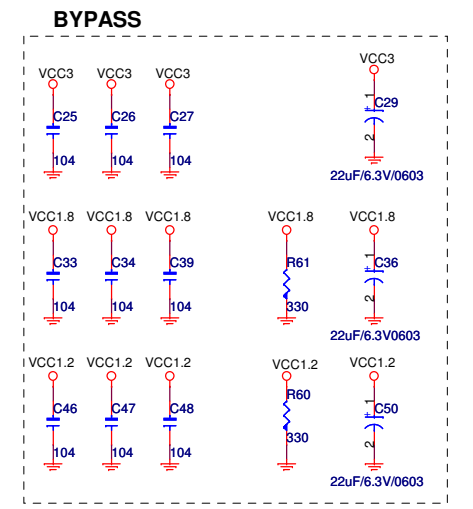
Mini PCI-e Goldfinger



VCC 1.2V



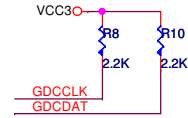
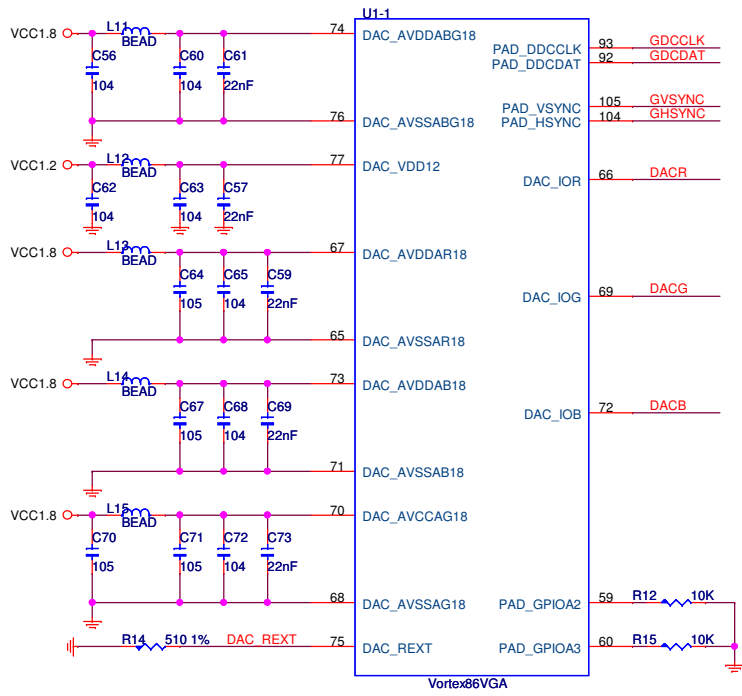
VCC 1.8V



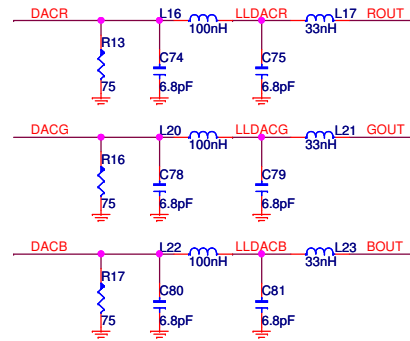
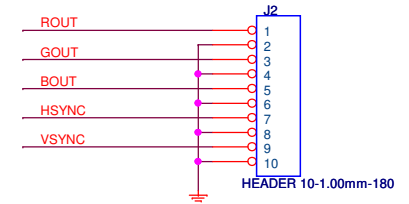
PCB NO. DM261
Vortex86VGA Mini PCIe
VER:0.6

DMP ELECTRONICS INC.		
Title: Vortex86VGA Mini PCIe		
Size: DM261	Document Number: DM261	Rev: 0.6
Date: Monday, July 07, 2014	Sheet: 1	of 3

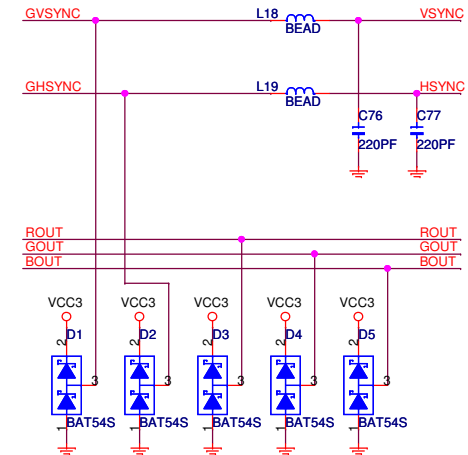
VGA



VGA



Place Near Connector



DMP ELECTRONICS INC.

Title		Vortex86VGA CRT
Size	Document Number	Rev
	DM261	0.6
Date:	Monday, July 07, 2014	Sheet 2 of 3

